

SINCE 1924



TRADING COMPANY

烘焙产品目录

Bakery

Catalogue

2025





**Bakery
Delights**



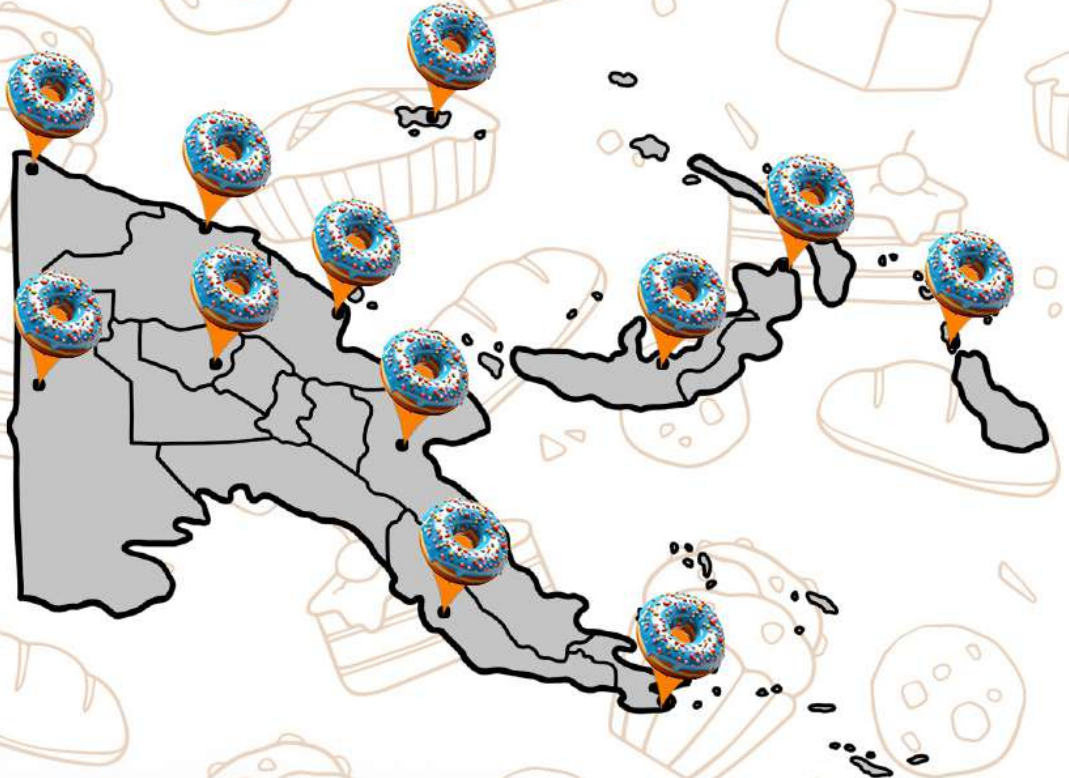
BAKELS



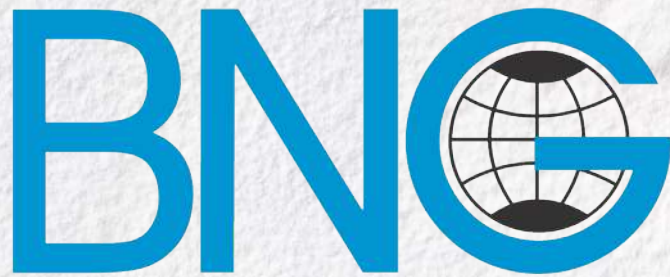
BNG 全国分支机构

BNG Branches Nationwide

- Alotau
- Buka
- Kimbe
- Kiunga
- Kokopo
- Lae
- Madang
- Manus
- Mt. Hagen
- Port Moresby
- Rabaul
- Vanimo
- Wewak



SINCE 1924



TRADING COMPANY

烘焙产品类别

BAKERY PRODUCT GUIDE

GETTING YOU STARTED 入门指南	4
FLOUR AND PREMIXES 预拌粉	8
BREAD IMPROVERS AND CONCENTRATES 面包改良剂和浓缩物	11
CAKE, MUFFIN, DONUT, PIE MIXES 蛋糕、松饼、甜甜圈、馅饼预拌粉	14
SLICES AND SWEETS 块状蛋糕和甜品	19
SPREADS 果酱类	22
BAKING INGREDIENTS 烘焙原料	25
FATS AND OILS 脂肪和油	42
CONSUMABLES 耗材	45
PACKAGING 包装	50

Orders: info@bngtrading.com.pg

GETTING YOU STARTED

入门指南

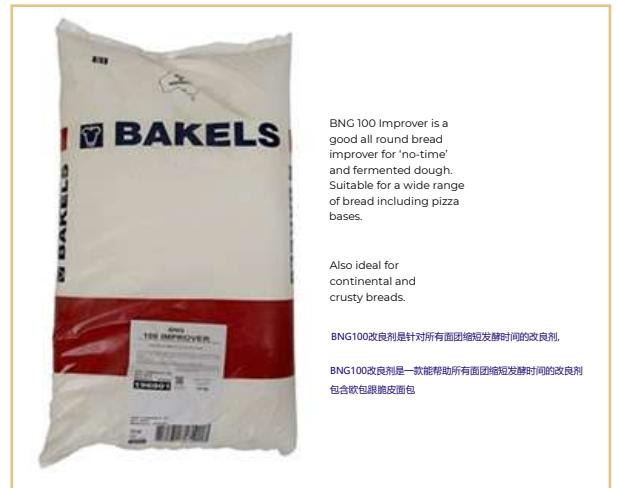


GETTING YOU STARTED 入门指南



10192 - BD Supa Plus
White Bread Premix 25kg

10192 - BD Supa Plus
白面包预拌粉 25kg



BNG 100 Improver is a good all round bread improver for 'no-time' and fermented dough. Suitable for a wide range of bread including pizza bases.

Also ideal for continental and crusty breads.

BNG 100改良剂是针对所有面团缩短发酵时间的改良剂。

BNG 100改良剂是一款能帮助所有面团缩短发酵时间的改良剂
包含软包跟脆皮面包

10068 - BNG 100 Improver 15kg
10068 - BNG 100 改良剂 15公斤



10193 - BD Wholemeal
Bread Premix 25kg

10193 - BD 全麦
面包预拌粉 25kg



A premium bread improver technology with emulsifier for optimum performance. BNG 1% Improver adds a number of benefits to standard bread dough:

Assists with dough development and maturity.

Superior processing tolerance.

Improved volume, texture and crumb softness.

这是一款带乳化剂的优质面包改良剂，

能给一般面团带来最佳的效果，

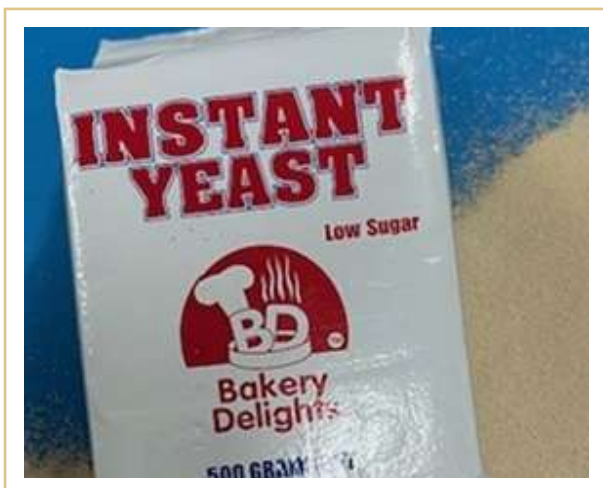
协助发面与醒面

生产弹性

改善体积和质地

和面包屑的柔软度。

10069 - BNG 1% Improver 12.5kg
10069 - BNG 1% 改良剂 12.5kg



10001 - BD Premium Yeast 20x500g
10001 - BD 优质酵母 20x500克



16453 - BD Bakers Flour Premium 25kg
16453 - BD 高级烘焙面粉 25公斤

GETTING YOU STARTED 入门指南



10036 - BNG Sponge & Swiss Roll Mix 15kg

10036 - BNG海绵&瑞士卷预拌粉 15公斤



10042 - BNG Utility Cake Mix 15kg

10042 - BNG磅蛋糕预拌粉 15公斤



10063 - BNG Lamington Dip 15kg

10063 - BNG拉明顿沾粉15公斤



10044 - Bakels Cream Cake Muffin Mix 15kg

10044 - 奶油蛋糕松饼粉 15kg



10045 - Bakels Pettina Chocolate Cake Mix 15kg

10045 - Bakels Pettina 巧克力蛋糕预拌粉 15公斤



10046 - Bakels Mud Cake & Brownie Mix 15kg

10046 - Bakels 布朗尼蛋糕粉 15公斤

GETTING YOU STARTED 入门指南



10037 - BNG Choc
Sponge Mix 15kg

10037 - BNG 巧克力
海绵预拌粉 15公斤



10012 - Pastrex R/B Hard Margarine 15kg
10012 - Pastrex R/B 硬质人造黄油 15kg



10010 - Sovereign Hard Margarine 15kg
10010 - Sovereign 硬质人造黄油 15 公斤



10029 - BNG Complete
Meat Pie Premix 15Kg

10029 - BNG 完整版
肉饼预拌粉 15Kg



10013 - Solite Tropical Margarine 15kg
10013 - Solite 热带人造黄油 15 公斤



22219 Bakery Delights Cake Margarine 15kg
22219 Bakery Delights 蛋糕人造黄油 15公斤



10038 - Bakels Donut
Cake Mix 15kg

10038 - Bakels
蛋糕预拌粉 15公斤



12758 - BD All Purpose
Shortening 15kg

12758 - BD 多用途
酥油 15kg

FLOUR AND PREMIXES

面粉和预拌粉



FLOUR AND PREMIXES 面粉和预拌粉



10192 - BD Supa Plus
White Bread Premix 25kg

10192 - BD Supa Plus
白面包预拌粉 25kg



10193 - BD Wholemeal
Bread Premix 25kg

10193 - BD 全麦
面包预拌粉 25kg



16453 - BD Bakers Flour Premium 25kg
16453 - BD 高级烘焙面粉 25公斤



20236 - BD Multigrain Bread Premix
20236 - BD 杂粮面包预拌粉



10147 - BD Bakers Flour 50kg
10147 - BD 烘焙面粉 50公斤



11865 - Plain Flour 12 x 1kg VP 11865 - 普通面粉 12 x 1kg VP
20614 - Plain Flour 10kg VP 20614 - 普通面粉 10kg VP

FLOUR AND PREMIXES 面粉和预拌粉



22183 - KaiKai Bakers Flour 25kg
22183 - KaiKai 烘焙面粉 25公斤



22200 - 2K KAIKAI Skon Roll Premix 25kg
22200 - 2K KAIKAI Skon Roll 预拌粉 25公斤



22399 - 2K KAIKAI Yellow Skon Premix 5kg
22399 - 2K KAIKAI 黄斯康预拌粉 5kg



BREAD IMPROVERS & CONCENTRATES

面包改良剂和浓缩物



BREAD IMPROVERS & CONCENTRATES

面包改良剂和浓缩物



BNG 100 Improver is a good all round bread improver for 'no-time' and fermented dough. Suitable for a wide range of bread including pizza bases.

Also ideal for continental and crusty breads.

BNG100改良剂是一款能帮助所有面团缩短发酵时间的改良剂 包含欧包跟脆皮面包

10068 - BNG 100 Improver 15kg
10068 - BNG 100 改良剂 15公斤



A premium bread improver technology with emulsifier for optimum performance. BNG 1% Improver adds a number of benefits to standard bread dough:

Assists with dough development and maturity.

Superior processing tolerance.

Improved volume, texture and crumb softness.

这是一款带乳化剂的优质面包改良剂，能给一般面团带来最佳的效果，协助发面与醒面生产弹性

10069 - BNG 1% Improver 12.5kg
10069 - BNG 1% 改良剂 12.5kg




BNG 4000 Bread Concentrate is a good all-round bread concentrate for 'no-time' doughs. Ideal for the manufacture to top quality bread and rolls.

BNG 4000 Bread Concentrate
BNG 4000 面包浓缩剂
是含盐的产品，适用于各种各样的面包

16453 - BD Bakers Flour Premium 25kg
16453 - BD 高级烘焙面粉 25公斤



10057 - Bakels Ciabatta Bread Mix 12.5kg
10057 - Bakels 夏巴塔面包粉 12.5kg



10052 - Bakels Rye Bread Mix 15kg
10052 - Bakels 黑麦面包预拌粉 15kg



10053 - Bakels Scandanavian Rye Bread Mix 15kg
10053 - Bakels 北欧黑麦面包预拌粉 15kg

BREAD IMPROVERS & CONCENTRATES

面包改良剂和浓缩物



20496 - Artisan Bread Concentrate 7% 12.5kg
20496 - 手工面包浓缩粉 7% 12.5公斤



10054 - BNG Multigrain Bread Concentrate 15kg
10054 - BNG 杂粮面包浓缩粉 15公斤



10055 - Bakels 4 Seed Bread Concentrate 15kg
10055 - Bakels 4 种子面包浓缩粉 15公斤



21316 - Fermdor W Classic 10kg
21316 - Fermdor W 经典款 10kg



16009 - Bakels Scone Mix 10kg
16009 - Bakels 司康饼粉 10公斤



10060 - Bakels Banana Bread Mix 15kg
10060 - Bakels 香蕉蛋糕预拌粉 15kg

CAKES, MUFFINS, DONUTS, PIE MIXES



蛋糕、松饼、
馅饼预拌粉

CAKE MIXES

蛋糕预拌粉



10036 - BNG Sponge & Swiss Roll Mix 15kg

10036 - BNG海绵&瑞士卷预拌粉 15公斤



10042 - BNG Utility Cake Mix 15kg

10042 - BNG磅蛋糕预拌粉 15公斤



10045 - Bakels Pettina Chocolate Cake Mix 15kg

10045 - Bakels Pettina 巧克力蛋糕预拌粉 15公斤



10046 - Bakels Mud Cake & Brownie Mix 15kg

10046 - Bakels 布朗尼蛋糕粉 15公斤



10037 - BNG Choc Sponge Mix 15kg
10037 - BNG 巧克力海绵蛋糕粉 15公斤



10040- Light Fruit Cake Mix 15kg
10040- 轻质水果蛋糕预拌粉 15kg

CAKE MIXES

蛋糕预拌粉



10041 - Bakels Fruit Cake Mix 15kg
10041 - Bakels 水果蛋糕预拌粉 15 公斤



10050 - Bakels Fino Carrot Cake Mix
10050 - Bakels Fino 胡萝卜蛋糕预拌粉



14634 - Chocolate Lava Cake Mix 15kg
14634 - 巧克力熔岩蛋糕预拌粉 15公斤



14613 - Bakels Red Velvet Cake Mix
14613 - Bakels 红色天鹅绒蛋糕预拌粉



*No Egg Required
*Available on request MOQ
*不需要鸡蛋
*可根据要求提供最小起订量

15213 - Bakels All-In Sponge Mix 15kg
15213 - Bakels 全能海绵蛋糕预拌粉 15 公斤



*No Egg Required
*Available on request MOQ
*不需要鸡蛋
*可根据要求提供最小起订量

15212 - Bakels All-In Buttercake Mix
15212 - Bakels 全脂蛋糕预拌粉

MUFFIN & COOKIE MIX 松饼和曲奇预拌粉



10044 - Bakels Cream Cake Muffin 15kg
10044 - Bakels 奶油蛋糕松饼预拌粉 15 公斤



*No Egg Required
*Available on request MOQ
*不需要鸡蛋
*可根据要求提供最小起订量

14607 - Bakels All-In Muffin Mix 15kg
14607 - Bakels 含蛋松饼预拌粉 15 公斤



10039 - Bakels Multi Cookie Mix 15kg
10039 - Bakels 综合饼干预拌粉 15 公斤



DONUT MIX

甜甜圈预拌粉



10038 - Bakels Donut Cake Mix 15kg
10038 - Bakels 甜甜圈蛋糕粉 15 公斤



14913 - Bakels Yeast Raised Donut Mix
14913 - 巴克酵母发酵甜甜圈预拌粉

PIE MIX

馅料预拌粉



10029 - BNG Complete Meat Pie Premix 15kg
10029 - BNG 全肉饼预拌粉 15kg



10028 - BNG Chicken Pie Mix 15kg
10028 - BNG 鸡肉派预拌粉 15公斤



*For use as Sausage Roll Seasoning
*用作香肠卷调味料

21315 - Fino Meat Seasoning 15kg
21315 - Fino 肉类调味料 15kg



10067 - Potato Flakes Par Valley
10067 - 帕尔谷土豆片

SICES AND SWEETS

块状蛋糕和甜品



SLICES & SWEETS 块状蛋糕和甜品



10049 - Bakels Choc H/Hog Slice Mix
10049 - Bakels 巧克力 块状蛋糕预拌粉



10066 - Bakels Cheesecake Mix 10kg
10066 - Bakels 芝士蛋糕预拌粉 10 公斤



19267 - Bakels Tart Custard Mix 15kg
19267 - Bakels 蛋挞预拌粉 15 公斤



18922 - Mallowhip Soft Gel 12.5kg
18922 - 蛋白糖霜预拌粉 12.5kg



19271 - Pettina Choux Paste 15kg
19271 - Pettina 泡芙预拌粉 15kg



19268 - Bakels Instant Custard Mix
19268 - Bakels 速溶卡士达预拌粉

SLICES & SWEETS 块状蛋糕和甜点



15214 - Bakels White Mousse Mix 5kg
15214 Bakels白慕斯预拌粉 5kg



11821 - Bakels Choco Mousse Mix 5kg
11821 Bakels巧克力慕斯预拌粉 5kg





SPREADS

糕
類

SPREADS 果酱类



22405 - Choc Hazelnut Spread 6kg
22405 - 巧克力榛子酱 6kg



22406 - White Hazelnut Spread 6kg
22406 - 白榛子酱 6kg



22407 - Speculoos Spread 6kg
22407 - 焦糖肉桂酱 6公斤



22408 - Pistachio Spread 6kg
22408 - 开心果酱 6kg



Introducing the new

SPREADS RANGE

Discover the ultimate indulgence with Bakels' new range of spreads, available in four irresistible flavours. Perfect for any occasion, these spreads are designed to elevate your culinary creations with their versatile and rich flavours.

推出全新 果酱涂酱

探索 Bakels 新品带来的极致享受
一系列涂抹酱，有四种令人无法抗拒的口味可供选择。
这些涂抹酱适合任何场合
旨在提升您的烹饪创作
其多样而丰富的口味。

FEATURES

- ✓ Versatile: perfect for spreading, pouring, drizzling and dipping
- ✓ Rich and indulgent flavour
- ✓ Smooth and velvety mouthfeel
- ✓ Freeze thaw stable: maintains quality and consistency after freezing
- ✓ Contain premium ingredients - uses real nuts and biscuit crumb

特征

- ✓ 用途广泛：非常适合涂抹、浇注、淋洒和浸渍
- ✓ 浓郁而令人沉醉的风味
- ✓ 光滑柔软
- ✓ 冻融稳定：冷冻后仍能保持质量和一致性
- ✓ 含有优质成分 - 使用真正的坚果和饼干屑

PRODUCT INFORMATION

Item Codes and Packaging

Choc Hazelnut
22405 : 6kg pail

White Hazelnut
22406 : 6kg pail

Pistachio
22408 : 6kg pail

Speculoos Biscuit
22407 : 6kg pail

产品信息

商品代码和包装

巧克力榛子
22405 : 6公斤桶

白榛子
22406 : 6公斤桶

开心果
22408 : 6公斤桶

焦糖饼干
22407 : 6公斤桶

Storage

Store below 25°C in clean, dry conditions and protected from direct sunlight.

贮存

储存在低于 25°C 的清洁、干燥环境中，避免阳光直射。

Shelf Life

Best before 6 months from date of manufacture.

保质期

自生产日期起 6 个月内最佳。

Usage

Use as a spread straight from the pail or heat to required temperature for dipping, pouring or drizzling.

用法

直接从桶中取出或加热后用作涂抹剂达到浸渍、浇注或淋洒所需的温度。

Discover four new flavours!
发现四种新口味!

Choc Hazelnut 巧克力榛子



White Hazelnut 白榛子



Pistachio 开心果



Speculoos Biscuit 焦糖饼干



BAKERY INGREDIENTS

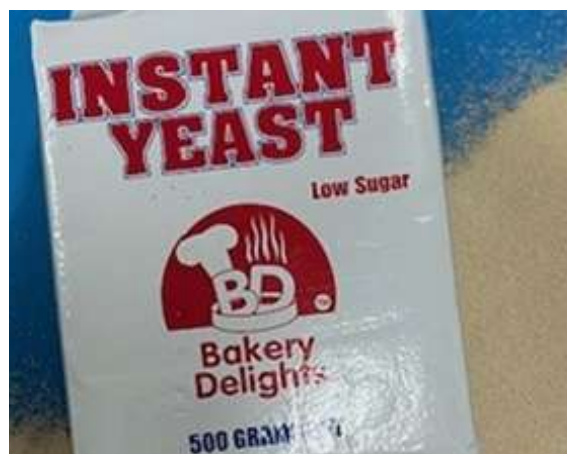
烘焙原料



YEAST & BAKING POWDER 酵母和泡打粉



21187 - BNG Baking Powder 15kg
21187 - BNG 泡打粉 15kg



10001 - BD Premium Yeast 20 x 500g
10001 - BD 优质酵母 20 x 500克



19274 - Fabao Instant Dry Yeast 20 x 500g
19274 - 发宝即发干酵母 20 x 500克



FILLINGS & DIPS 馅料和蘸酱



10063 - BNG Lamington Dip 15kg
10063 - BNG 拉明顿沾粉 15kg



10064 - Bakels Pettina Raspberry Dip 12.5kg
10064 - Bakels Pettina 覆盆子沾粉 12.5kg



10078 - Bakels RTU Choc Icing 5kg
10078 - Bakels RTU 巧克力糖衣 5 公斤



10079 - Bakels RTR White Icing 7kg
10079 - Bakels RTR 白色糖霜 7kg



10080 - Bakels RTU Choc Ganache 12.5kg
10080 - Bakels RTU 巧克力酱 12.5 公斤



15408 - Fondant White 14kg
15408 - 白色翻糖 14公斤

FILLINGS & DIPS 馅料和蘸酱



15409 - Fondant Soft Choc 14kg
15409 - 软巧克力翻糖 14公斤



17818 - Bakels Lemon Cream 6kg pail
17818 - Bakels 柠檬奶油酱 6kg 桶装



19866 - Bakels Lemon Flavoured Filling 14kg
19866 - Bakels 柠檬味馅料 14kg



17820 - Bakels Orange Cream 6kg pail
17820 - Bakels 橙奶油馅料 6 公斤桶装



17821 - Bakels Caramel Cream 6kg pail
17821 - Bakels 焦糖奶油馅料 6 公斤桶装



10135 - BNG Rasplum Filling 14kg
10135 - BNG覆盆子馅料 14公斤

FILLINGS & DIPS 馅料和蘸酱



10116 - FF Rasplum (Seedless) 15kg
10116 - FF覆盆子馅料 (无籽) 15公斤



10137 - Bakels Blueberry Filling 6kg
10137 - Bakels 蓝莓馅 6kg



10081 - Bakels Hadeja Flan Gel
10081 - Bakels Hadeja 水果蛋糕凝胶



10035 - Bakels Instant Continental 12.5kg
10035 - Bakels 速溶卡仕达粉12.5 公斤



10061 - Bakels Instant Creme Mix 15kg
10081 - Bakels 速溶鲜奶油粉



TOPPINGS 配料



10118 - FF Sprinkles Non Pariels 1.5kg
10118 - FF 糖粒 Non Pariels 1.5kg



10119 - FF Sprinkles Rainbow 1.5kg
10119 - FF 彩虹糖屑 1.5kg



10120 - FF Sprinkles Chocolate 1.5kg
10120 - FF 巧克力糖屑 1.5kg



20923 - Cake Toppings Yellow 1.5Kg
20923 - 黄色糖屑 1.5Kg



20924 - Cake Toppings Pink 1.5Kg
20924 - 粉色糖屑 1.5Kg



20925 - Cake Toppings Red 1.5Kg
20925 - 红色糖屑 1.5Kg

TOPPINGS 配料



20926 - Cake Toppings Orange 1.5Kg
20926 - 橙色糖屑 1.5Kg



20927 - Cake Toppings Mauve 1.5Kg
20927 - 淡紫色糖屑 1.5Kg



20928 - Cake Toppings Green 1.5Kg
20928 - 绿色糖屑 1.5Kg



20930 - Cake Toppings Blue 1.5Kg
20930 - 蓝色糖屑 1.5Kg



20931 - Cake Toppings White 1.5Kg
20931 - 白色糖屑 1.5Kg



CHOCOLATE 巧克力



15458 - Chockex Chocolate Bits 15kg
15458 - Chockex 巧克力碎 15kg



10128 - FF Dark Choc Buttons 5kg
10128 - FF 黑巧克力纽扣 5 公斤



10131 - FF Dark Choc Block 5kg
10131 - FF 黑巧克力块 5kg



10132 - FF White Choc Block 5kg
10132 - FF 白巧克力块 5kg



16384 Dutch Cocoa Powder 22/24 1x5kg
16384 荷兰可可粉 22/24 1x5kg



COLOURS & FLAVORINGS 色素和调味料



OVERVIEW
A liquid bun spice flavour for adding to bread dough and producing spiced buns. Ideal for fruit buns, added according to taste.

概述
液体香料
这是一款用于面包面团中的香料
特别适合用于水果面包
可根据喜好调整浓度

10086 - Apito Bun Spice 1kg
10086 - Apito 面包香料 1kg



OVERVIEW
A liquid, premium quality vanilla flavour for various bakery applications, part of the Apito Essences range. Easily disperses in cake batters, icings and creams.

高级液体香草精。
适用于各式面包
蛋糕，
馅料

20191 - Apito Vanilla Essence 84 lLtr
20191 - Apito 香草精 84 lLtr



10085 - BD Pure Vanilla Extract 945ml
10085 - BD 纯香草精 945毫升



OVERVIEW
A coffee coloured and flavoured paste for cakes, sponges and icings. Part of the Apito Flavours Pastes range, use 30g of paste for each 1kg of icing, cream or batters

高级咖啡香精。
适用于各式面包，
蛋糕，
馅料。
30克兑1000克的馅或面团

10087 - Apito Coffee Liquid Paste 1kg
10087 - Apito 咖啡香精 1kg



OVERVIEW
A chocolate flavoured/coloured paste for cakes, sponges and icing. Ready to use straight from the pail. Simply add 17g of the chocolate paste for 1kg of icing, cream or cake batter.

概述
巧克力味/彩色糊状物
蛋糕、海绵蛋糕和糖霜。即用型
直接从桶里。
17克兑1000克的糖霜馅或蛋糕糊

10088 - Apito Chocolate Paste 5kg
10088 - Apito 巧克力酱 5kg



OVERVIEW
A strawberry coloured and flavoured paste for cakes, sponges and icings. Part of the Apito Flavours Pastes range, use 30g of paste for each 1kg of icing, cream or batters

概述
草莓色和草莓味的酱料
适用于蛋糕、海绵蛋糕和
糖霜。Apito调味酱的一部分
每1公斤糖霜使用30克香精

10089 - Apito Strawberry Liq Paste 1kg
10089 - Apito 草莓香精 1kg

COLOURS & FLAVORINGS 色素和调味料



OVERVIEW
A flavouring essence of vanilla flavour with an added 'buttery' note for a variety of cakes, sponges and icings.

概述
带奶油味的香草精
适用于各种蛋糕，
海绵蛋糕和糖霜。

10091 - Apito Butta Vanilla Essence 1kg
10091 - Apito Butta 奶油香草精 1kg



OVERVIEW
An orange colour/ flavour paste for cakes, sponges and icings. Simply add 30g of Apito Orange Flavouring Paste for 1kg of icing, cream or cake batter.

概述
用于蛋糕的橙色色素/调味膏，
海绵蛋糕和糖霜。只需添加 30 克
Apito 橙子调味膏
1公斤糖霜、奶油或蛋糕糊。

10094 - Apito Orange Liq Paste 1kg
10094 - Apito 橙子色精 1kg



OVERVIEW
A rum flavoured, brown colour paste for cakes, sponges and icings, part of the Apito Flavouring Paste range. Use approximately 30g of Apito Rum Flavouring Paste for each 1kg of icing, cream or batters.

概述
朗姆酒味的棕色糊状物
对于蛋糕、海绵蛋糕和糖霜来说，
Apito调味膏系列。使用
约30克Apito朗姆酒调味料
每 1 公斤糖霜、奶油或面糊添加适量糊料。

10097 - Apito Rum Liq. Paste 1kg
10097 - 阿皮托朗姆酒。膏体1kg



OVERVIEW
An orange-yellow, banana coloured and flavoured paste for cakes, sponges and icings, part of the Apito Flavouring Paste range. Use approximately 30g of Apito Banana Flavouring Paste for cream or batters.

概述
橙黄色、香蕉色
以及蛋糕调味膏
适用于海绵蛋糕和糖霜
使用
约30克Apito香蕉
调味膏
奶油或面糊。

10099 - Apito Banana Liq. Paste 1kg
10099 - Apito 香蕉精。膏体1kg



OVERVIEW
An apple green colour liquid for any application. Simply add up to 15g of Bakels Apple Green Colour into 1kg of cream, icings, sponge/cake batters and piping jellies.

概述
苹果绿色液体适合任何
应用。只需添加最多 15 克 Bakels
将苹果绿色色素加入1公斤奶油中，
糖霜、海绵蛋糕/蛋糕
面糊和裱花果冻。

10100 - Bakels Apple Green Liq. Col 1kg
10100 - Bakels 绿色液体色素液体。科尔1公斤



OVERVIEW
A chocolate brown colour for any application. Add a maximum of 5g of Bakels Chocolate Brown Colour in 1kg of cream, icings, sponge/ cake batters and piping jellies.

概述
巧克力棕色，适合任何场合。添加
最多 5 克 Bakels 巧克力
1kg 棕色色素
奶油、糖霜、海绵蛋糕/
蛋糕糊和裱花果冻。

10101 - Bakels Choc Brown Liq. Col 1kg
10101 - Bakels 巧克力棕色液体色素。科尔1公斤

COLOURS & FLAVORINGS 色素和调味料



OVERVIEW
A dark blue liquid colour for any application. Simply add 10g of Bakels Dark Blue Colour in 1kg of cream, icings, sponge/cake batters and piping jellies.

概述
深蓝色液体颜色适用于任何应用。只需添加10克Bakels Dark Blue给1公斤奶油上色,糖霜、海绵蛋糕/蛋糕面糊和裱花果冻。

10102 - Bakels Dark Blue Liq. Col 1kg
10102 - Bakels 深蓝色液体色素。桶装1公斤



OVERVIEW
A pink coloured liquid for any application. Simply add up to 20g of Bakels French Pink Colour in 1kg of creams, icings, and sponge/cake batters.

概述
适合任何用途的粉红色液体。只需添加最多 20 克色素可兑 1kg 奶油、糖霜和海绵蛋糕/蛋糕面糊。

10103 - Bakels French Pink Liq. Col 1kg
10103 - Bakels 法国粉色液体色素 1kg



OVERVIEW
A brilliant red water-based food colouring for batters, creams and icings. Add up to 10g of Bakels Pillar Box Red Colour in 1kg of product.

概述
鲜红色的水基食品面糊、奶油和糖霜的着色剂。每公斤面糊最多添加10克正红色色素

10104 - Bakels Pillar Box Red Liq Col. 1kg
10104 - Bakels Pillar Box 红色液体 1kg



OVERVIEW
An orange yellow, water-based food colouring for batters, creams and icings. Add up to 5g of Bakels Yellow Yolk Colour to bakery item for a vibrant, warm yellow colour.

概述
橙黄色的水基食品面糊、奶油和糖霜的着色剂。添加最多 5 克 Bakels 橙黄色色素烘焙食品呈现出鲜艳、温暖的黄色颜色。

10105 - Bakels Yolk Yellow Liq. Col 1kg
10105 - 橙黄色色素。桶装1公斤



OVERVIEW
An orange-yellow liquid colour for any bakery application. Use up to 10g of Bakels Lemon Yellow Colour in 1kg of cream, icings, cake batters and piping jellies for a vibrant yellow colour.

概述
橙黄色液体色素, 适用于任何烘焙应用。
1000公克的奶油、蛋糊、糖霜或果冻, 最多添加10克柠檬黄色素

10106 - Bakels Lemon Yellow Liq. Col 1kg
10106 - Bakels 柠檬黄液体色素 1kg



DRIED FRUITS, NUTS & SEEDS 干果、坚果和种子



10020 - Currants 12.5kg
10020 - 小粒葡萄干 12.5公斤



10021 - Sultanas 12.5kg
10021 - 苏丹娜葡萄干 12.5 公斤



10023 - Mixed Peel 10kg
10023 - 综合柑橘皮 10公斤



15948 - Whole Red Cherries 10kg
15948 - 糖渍红樱桃 10公斤



12209 - Sour Pitted Cherry 1 x 4.25kg
12209 - 酸樱桃 1 x 4.25公斤



11456 - Crushed Peanut 1kg
11456 - 碎花生 1kg

DRIED FRUITS, NUTS & SEEDS 干果、坚果和种子



18428 - Sesame Seeds 15kg
18428 - 芝麻 15公斤



12298 - Poppy Seed 1kg
12298 - 罂粟籽 1公斤



10111 - Desiccated Coconut 25kg
10111 - 椰蓉 25公斤



12394 - Almond Flakes 1kg
12394 - 杏仁片 1公斤



12302 - Walnut Halves & Pcs 1kg
12302 - 核桃仁及核桃块 1公斤



SALT 盐



10156 - BD Salt 25kg
10156 - BD 盐 25公斤



12799 - BNG Non-Iodised Salt 25kg
12799 - BNG 无碘盐 25公斤



SUGARS 糖类



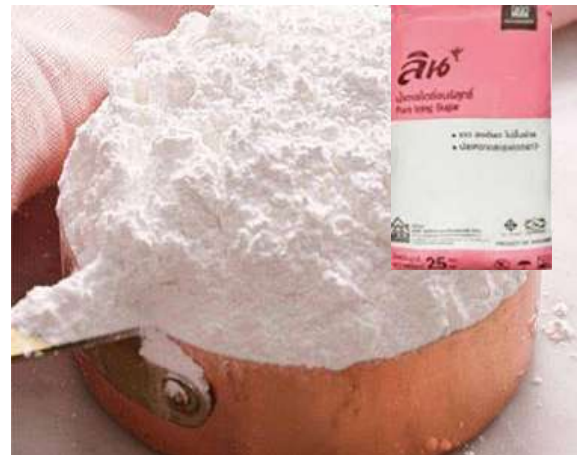
18711 - Refined White Sugar 50kg
18711 - 精制白糖 50公斤



10154 - Castor Sugar 25kg
10154 - 细砂糖 25公斤



10158 - Soft Icing Mixture 25kg
10158 - 澳大利亚糖粉 25公斤



17328 - Pure Icing Sugar 25kg
17328 - 纯糖粉 25公斤



12278 - Golden Syrup 14kg
12278 - 金色糖浆 14公斤



THICKENERS 增稠剂



13165 - Cornflour Wheaten 25kg
13165 - 玉米粉 25公斤



20617 - Gelatine 220 Bloom 25kg
20617 - 明胶 220 Bloom 25公斤



BOOSTERS 增味剂



12351 - BNG Beef Booster 1 x 8kg
12351 - BNG 牛肉增味剂 1 x 8kg



12352 - BNG Chicken Booster 1 x 8kg
12352 - BNG 鸡肉增味剂 1 x 8kg



10160 - Anchor Milk Powder Instant 25kg
10160 - 安佳速溶奶粉 25公斤



10072 - Gluten 25kg
10072 - 面筋 25公斤



10071 - Calcium Propionate 25kg
10071 - 丙酸钙 25公斤



BAKERY FATS & OILS

烘焙油脂



FATS & OILS 脂肪和油



10013 - Solite Tropical Margarine 15kg
10013 - Solite 热带人造黄油 15 公斤



10012 - Pastrex R/B Hard Margarine 15kg
10012 - Pastrex R/B 硬质人造黄油 15kg



10010 - Sovereign Hard Cake Margarine 15kg
10010 - Sovereign 硬质蛋糕人造黄油 15 公斤



10015 - Duo Pie Bottom Shortening 12kg
10015 - 派皮起酥油 12公斤



22219 Bakery Delights Cake Margarine 15kg
22219 Bakery Delights 蛋糕人造黄油 15公斤



12758 - BD All Purpose Shortening 15kg
12758 - BD 多用途起酥油 15公斤

FATS & OILS 脂肪和油



10668 - Royal Danish Margarine 12.5kg
10668 - 丹麦皇家人造黄油 12.5公斤



10016 - Bakels Bacom A100 15kg
10016 - Bakels 白金 A100 15kg



12391 - Canola Oil 20ltr
12391 - 菜籽油 20升



10006 - Tincol 15ltr
10006 - 脱模烤盘油 15升



14919 - Gold Leaf Dp Frying Oil 12.5kg
14919 - 金叶DP煎炸油 12.5公斤

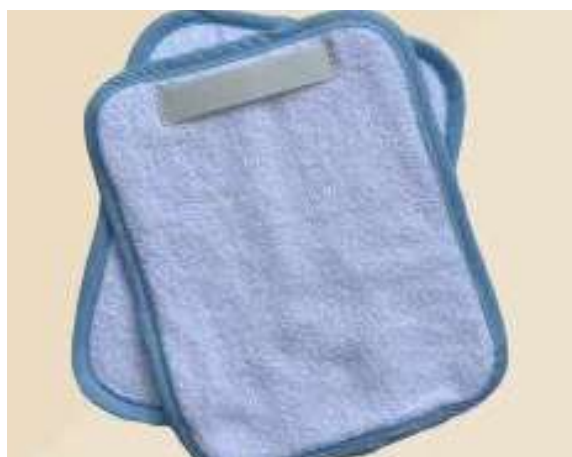




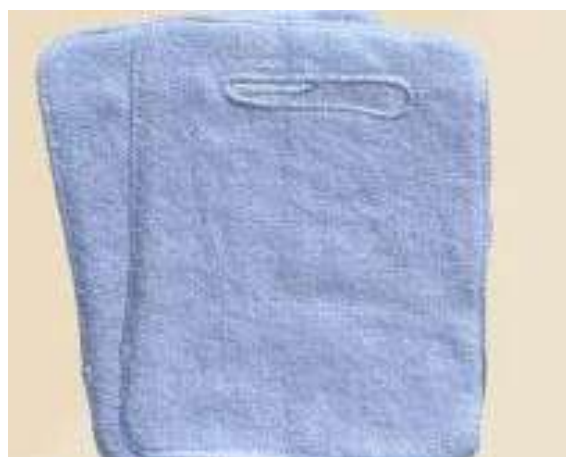
BAKERY ESSENTIALS

烘焙器材

BAKERY CONSUMABLES 烘焙耗材



18218 - Oven Holder Prem Heavy Weight
18218 - 厚装防烫垫



18219 - Oven Holder Original Heavy Weight
18219 - 厚装防烫垫



18220 - Glove Heavy Weight 400mm
18220 - 400毫米重型手套



21596 - Bakery Utensil Metal Scraper
21596 - 刮板



21597 - Blue Curved Plastic Scraper
21597 - 刮板



21598 - Blue Plastic Scraper
21598 - 刮板

BAKERY CONSUMABLES 烘焙耗材



21599 - 10-inch Palette Knife Ankle
21599 - 10 英寸直角抹平刀



21600 - 10-inch Palette Knife Straight
21600 - 10英寸直抹平刀



21798 - Kee Seal 12" Piping Bags
21798 - Kee Seal 12英寸裱花袋



21594 - Kee Seal 16"x10 Piping Bags with 3 Nozzles
21594 - Kee Seal 16"x10 裱花袋 (含 3 个喷嘴)



10178 - Kee Seal 18" x 72 Piping Bags
10178 - Kee Seal 18英寸 x 72个裱花袋



21595 - Kee Seal 21" x 72 Piping Bags
21595 - Kee Seal 21英寸 x 72个裱花袋

BAKERY CONSUMABLES 烘焙耗材



21592 - Baking Silicon Paper 500 Sheets 405 x 710mm
21592 - 烘焙硅油纸 500 张 405 x 710mm



21593 - Baking Silicon Paper 500 Sheets 400 x 600mm
21593 - 烘焙硅油纸 500 张 400 x 600mm



10171 - 650 Confetta Cups 1 x 500
10171 - 650 五彩纸杯 1 x 500



10172 - 700 Confetta Cups 1 x 500
10172 - 700 个五彩纸杯 1 x 500



10175 - Tulip Paper Muffin Cups 500pcs
10175 - 郁金香纸质松饼杯 500个



10197 - Bread Bag LDPE Plain (2,000)
10197 - LDPE 面包袋 (2,000)

BAKERY CONSUMABLES 烘焙耗材



21830 - TOP CHEF PVC Cling Film 45cm x 300m 6/ctn
21830 - TOP CHEF 保鲜膜 45厘米 x 300米 6卷/箱



21824 - TOP CHEF Unbleached Baking Paper 30cm x 30m 12/ctn
21824 - TOP CHEF 无漂白烘焙纸 30cm x 30m 12卷/箱



21823 - TOP CHEF Aluminium Foil 45cm x 130m 6/ctn
21823 - TOP CHEF 铝箔 45厘米 x 130米 6卷/箱

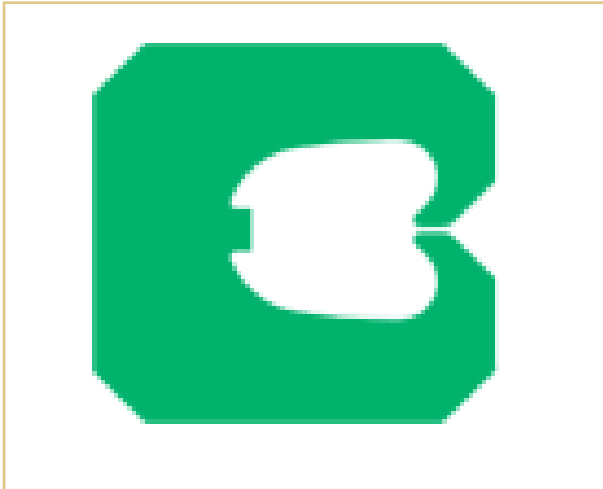


BAKERY PACKAGING

烘焙包裝



BAG CLOSURES 袋子封口



Closures are available in seven colours that permit colour coding pull dates 袋口夹有七种颜色可供选择, 许可证颜色编码提取日期



- | | |
|------------------------------|---------------------------|
| 10162 - Kwik Lok 2000 Blue | 10162 - Kwik Lok 2000 蓝色 |
| 10163 - Kwik Lok 2000 Green | 10163 - Kwik Lok 2000 绿色 |
| 10164 - Kwik Lok 2000 Orange | 10164 - Kwik Lok 2000 橙色 |
| 10165 - Kwik Lok 2000 Red | 10165 - Kwik Lok 2000 红色 |
| 10166 - Kwik Lok 2000 Tan | 10166 - Kwik Lok 2000 棕褐色 |
| 10167 - Kwik Lok 2000 White | 10167 - Kwik Lok 2000 白色 |
| 10168 - Kwik Lok 2000 Yellow | 10168 - Kwik Lok 2000 黄色 |



*Custom bags also available, call for a quote
*也可提供定制布袋, 请致电询价

- 10197 - Bread Bag LDPE Plain (2,000)
- 10197 - LDPE 面包袋 (2,000)



面包

BAKERY EQUIPMENT



BAKERY EQUIPMENT

BREAD PAN SETS

340g Loaf Pan 046/3



Configuration: set of 3
Top Inside: 171x102
Base Outside: 153x89, **Depth:** 102
Overall Dimensions: 400x187x102
Material: Aluminised Steel
Finish: PANGLAZE® or TEFLON®

680g Loaf Pan 122B/3



Configuration: set of 3
Top Inside: 266x108
Base Outside: 253x98, **Depth:** 106
Overall Dimensions: 400x282x106
Material: Aluminised Steel
Finish: PANGLAZE® or TEFLON®

650g Loaf Pan 224/3



Configuration: set of 3
Top Inside: 234x124
Base Outside: 215x114, **Depth:** 120
Overall Dimensions: 455x250x120
Material: Aluminised Steel
Finish: PANGLAZE® or TEFLON®

450g Loaf Pan 109/3



Configuration: set of 3
Top Inside: 234x100
Base Outside: 223x90, **Depth:** 95
Overall Dimensions: 400x250x95
Material: Aluminised Steel
Finish: PANGLAZE® or TEFLON®

680g Loaf Pan 158/3



*Comes with options of Fluting (corrugations) or Fluting and Steam Release Holes**
Configuration: set of 3
Top Inside: 281x115
Base Outside: 267x102, **Depth:** 115
Overall Dimensions: 400x297x115
Material: Aluminised Steel
Finish: PANGLAZE® or TEFLON®

900g Loaf Pan 059/3



Configuration: set of 3
Top Inside: 295x116
Base Outside: 279x106, **Depth:** 108
Overall Dimensions: 400x311x108
Material: Aluminised Steel
Finish: PANGLAZE® or TEFLON®

700g to 900g Loaf Pan 193B/2



Configuration: set of 2, **Top Inside:** 268x133
Base Outside: 252x124, **Depth:** 127
Overall Dimensions: 325x284x127 (700g)
Overall Dimensions: 400x284x127 (900g)
Material: Aluminised Steel
Finish: PANGLAZE®

Drop on lids



Material: Aluminised Steel

Bread Pan Dollie BPD/2



Medium Corrugated Tank Loaf Pan T229/3



Configuration: set of 3
Top Inside: 229x102, **Depth:** 48
Overall Dimensions: 400x244x112
Material: Aluminised Steel
Finish: PANGLAZE® or TEFLON®

SINCE 1924

BNG
 TRADING COMPANY

LongTank Loaf Corrugated T280/3



Configuration: set of 3
Top Inside: 276x102, **Depth:** 48
Overall Dimensions: 400x292x112
Material: Aluminised Steel
Finish: PANGLAZE® or TEFLON®

Vienna Loaf Pan Oval Ends Round Ends V270/3 & WEV270/3



Configuration: set of 3
Top Inside: 270x114, **Depth:** 30
Overall Dimensions: 403x320x30
Material: Aluminised Steel
Finish V270/3: PANGLAZE®
Finish WEV270/3: TEFLON®

Vienna Loaf Pan V286/3



Configuration: set of 3
Top Inside: 286x102, **Depth:** 32
Overall Dimensions: 400x320x32
Material: Aluminised Steel
Finish: PANGLAZE®

Farmhouse Loaf Pan Deep Drawn FHS/4



Configuration: set of 4
Top Inside: 176x122
Base Outside: 164x110, **Depth:** 75
Overall Dimensions: 400x285x75
Material: Aluminised Steel
Finish: PANGLAZE® or TEFLON®

BAKING TRAYS

Hamburger Roll Tray Shallow WEHP102



Configuration: 6 rows of 3
Top Inside: 102ø, **Depth:** 12
Overall Dimensions: 406x760x12
Material: Aluminised Steel
Finish: TEFLON®

Hamburger Roll Tray Round Deep WEHS102



Configuration: 6 rows of 3
Top Inside: 102ø, **Depth:** 23
Overall Dimensions: 406x760x23
Material: Aluminised Steel
Finish: TEFLON®

Hamburger Roll Tray Round Deep, Staggered formation WEHS127



Configuration: rows of 5,4,5
Top Inside: 127ø, **Depth:** 25
Overall Dimensions: 406x760x25
Material: Aluminised Steel
Finish: TEFLON®

Hamburger Roll Tray Round Deep WEHP92



Configuration: 6 rows of 3
Top Inside: 92ø, **Depth:** 14
Overall Dimensions: 406x760x14
Material: Aluminised Steel
Finish: TEFLON®

Torpedo Roll /Hot Dog Baton Roll Tray WETP175



Configuration: 4 rows of 5
Top Inside: 175x58
Depth: 10
Overall Dimensions: 406x760x10
Material: Aluminised Steel
Finish: TEFLON®

Baton Roll Tray Batched in threes Round, shallow ATP150G3



Configuration: 4 rows of 6
Top Inside: 150x51
Depth: 8
Overall Dimensions: 406x760x38
Material: Aluminised Steel
Finish: PANGLAZE®

Flat Baking Trays Non-Perforated 3 sided Tray AL406



Overall Dimensions: 406x368x25
Material: Aluminium
Finish: Natural

Flat Baking Non-Perforated 3 sided Tray A1616R3 and A1816R3



Overall Dimensions:
A1616R3: 406x732x25
A1816R3: 457x732x25
Material: Aluminium
Finish: Natural

SINCE 1924

BNG
TRADING COMPANY

Flat Baking Non-Perforated 3 sided Tray AT1616R3 and AT1816R3



Overall Dimensions:
A1616R3: 406x730x25
A1816R3: 457x730x25
Material: Aluminium
Finish: TEFLON®

Flat Baking Perforated 3 sided Tray AT1616R3P and AT1816R3P



Overall Dimensions:
A1616R3P: 406x730x25
A1816R3P: 457x730x25
Material: Aluminium
Finish: TEFLON®

Flat Baking Non-Perforated 4 sided Trays A1616R4 & A1816R4



Overall Dimensions:
A1616R4: 406x737x25
A1816R4: 457x737x25
Material: Aluminium
Finish: Natural

Flat Baking Non-Perforated 4 sided Tray A2916R4



Overall Dimensions: 406x737x50
Material: Aluminium
Finish: Natural

Seamless Non-Perforated, 4 tapered sides & wired top edges B5016N



Overall Dimensions: 455x660x25
Material: Aluminium
Finish: Natural

Commercial Non-stick Liner Reusable non-stick baking sheet



BRS-16 Width: 400
BRS-18 Width: 445
Length: 728
Finish: TEFLON® coated fabric
Pack size: 6 sheets or 30m roll

Flat Trays Perforated with swage SWT16 and SWT455



Overall Dimensions:
SWT16: 400x737x6
SWT455: 455x737x6
Material: Aluminium
Finish: PANGLAZE®

Flat Baking Perforated 3 sided Trays A1616R3P and A1816R3P



Overall Dimensions:
A1616R3P: 406x737x25
A1816R3P: 457x737x25
Material: Aluminium
Finish: PANGLAZE®

French Stick Trays Perforated



No. of Impressions: 5
Stick Width: 65
Impression Depth: 35
Overall Dimensions in three sizes
ASV5-02: 400x737x37
ASV5450-02: 450x737x37
ASV5-26: 450x660x37
Material: Aluminium
Finish: PANGLAZE®

French Stick Tray Non-perforated SV2



No. of Impressions: 2
Stick Width: 65
Impression Depth: 35
Overall Dimensions: 180x385x37
Material: Aluminised Steel
Finish: TEFLON®

Baguette Tray Perforated ASV4



No. of Impressions: 4
Stick Width: 75
Impression Depth: 35
Overall Dimensions: 400x737x37
Material: Aluminium
Finish: PANGLAZE®

Friand Tray WEHS75



Configuration: 8 rows of 4
Overall Dimensions: 406x760x40
Material: Aluminised Steel
Finish: TEFLON®

SINCE 1924

Mini Loaf Tray B6903



Configuration: 6 rows of 2
Top Inside: 98x64
Base Outside: 89x54, **Depth:** 30
Overall Dimensions: 495x250x30
Material: Aluminised Steel
Finish: PANGLAZE®

Mini Muffin Tray WEHS47



Configuration: 8 rows of 5
Overall Dimensions: 406x760x26
Material: Aluminised Steel
Finish: TEFLON®

Regular Muffin Tray WEHS70



Configuration: 8 rows of 4
Overall Dimensions: 406x760x35
Material: Aluminised Steel
Finish: TEFLON®

Texas Muffin Tray WEHS88



Configuration: 6 rows of 3
Overall Dimensions: 406x760x45
Material: Aluminised Steel
Finish: TEFLON®

Texas Muffin Tray WEHS88/45



Configuration: 6 rows of 4
Overall Dimensions: 455x735x45
Material: Aluminised Steel
Finish: TEFLON®

Lunch Pie Round Plate Style PTR406-04 and PTR457-04



Configuration:
6 rows of 3 (PTR406)
6 rows of 4 (PTR457),
Impression Size: 114ø
Top Inside: 104ø, **Base Outside:** 69ø
Volume water: 170g
Depth: 25
Overall Dimensions:
PTR406-04: 406x685x27
PTR457-04: 457x685x27
Material: Tinplate, mild steel frame
Finish: PANGLAZE® interior, RKG2® ext.

Lunch Pie Round Plate Style PTR406-13 and PTR457-13



Configuration:
6 rows of 3 (PTR406)
6 rows of 4 (PTR457)
Impression Size: 114ø
Top Inside: 104ø, **Base Outside:** 69ø
Volume water: 170g
Depth: 25
Overall Dimensions:
PTR406-13: 406x685x27
PTR457-13: 457x685x27
Material: Aluminised Steel
Finish: TEFLON®

Lunch Pie Tray Round Upright Style PTRU406-04 and PTRU457-04



Configuration:
6 rows of 3 (PTRU406)
6 rows of 4 (PTRU457)
Impression Size: 114ø
Top Inside: 104ø, **Base Outside:** 90ø
Volume water: 170g
Depth: 25
Overall Dimensions:
PTRU406-04: 406x685x27
PTRU457-04: 457x685x27
Material: Tinplate, mild steel frame
Finish: PANGLAZE® interior, RKG2® ext.

Lunch Pie Tray Round Upright Style PTRU406-13 and PTRU457-13



Configuration:
6 rows of 3 (PTRU406)
6 rows of 4 (PTRU457)
Impression Size: 114ø
Top Inside: 104ø, **Base Outside:** 90ø
Volume water: 170g
Depth: 25
Overall Dimensions:
PTRU406-13: 406x685x27
PTRU457-13: 457x685x27
Material: Aluminised Steel
Finish: TEFLON®

Lunch Pie Tray Square PTS406-04 and PTS457-04



Configuration:
7 rows of 3 (PTS406)
7 rows of 4 (PTS457)
Impression Size: 107
Top Inside: 97, **Base Outside:** 86
Volume water: 200g
Depth: 26
Overall Dimensions:
PTS406-04: 406x760x28
PTS457-04: 457x760x28
Material: Tinplate, mild steel frame
Finish: PANGLAZE® interior, RKG2® ext.

Lunch Pie Tray Square PTS406-13 and PTS457-13



Configuration:
7 rows of 3 (PTS406)
7 rows of 4 (PTS457)
Impression Size: 107
Top Inside: 97, **Base Outside:** 86
Volume water: 200g
Depth: 26
Overall Dimensions:
PTS406-13: 406x760x28
PTS457-13: 457x760x28
Material: Aluminised Steel
Finish: TEFLON®

SINCE 1924

BNG
TRADING COMPANY

Lunch Pie Tray Oval
PTO406-04 and PTO457-04



Configuration: 5 rows of 4
Impression Size: 98
Top Inside: 90
Base Outside: 78
Volume water: 180g
Depth: 23
Overall Dimensions:
 PTO406-04: 406x665x25
 PTO457-04: 457x665x25
Material: Tinplate, mild steel frame
Finish: PANGLAZE® interior, RKG2® ext.

Lunch Pie Tray Oval
PTO406-13 and PTO457-13



Configuration: 5 rows of 4
Impression Size: 98
Top Inside: 90
Base Outside: 78
Volume water: 180g
Depth: 23
Overall Dimensions:
 PTO406-13: 406x665x25
 PTO457-13: 457x665x25
Material: Aluminised Steel
Finish: TEFLON®

Lunch Pie Tray Football Round Ball
PTF406-04 and PTF457-04



Configuration:
 7 rows of 3 (PTF406)
 5 rows of 4 (PTF457)
Impression Size: 103
Top Inside: 87
Base Outside: 61
Volume water: 180g
Depth: 28
Overall Dimensions:
 PTF406-04: 406x735x32
 PTF457-04: 457x650x32
Material: Tinplate, mild steel frame
Finish: PANGLAZE® interior, RKG2® ext.

Lunch Pie Tray Football Round Ball
PTF406-13 and PTF457-13



Configuration:
 7 rows of 3 (PTF406)
 5 rows of 4 (PTF457)
Impression Size: 103
Top Inside: 87
Base Outside: 61
Volume water: 180g, **Depth:** 28
Overall Dimensions:
 PTF406-13: 406x745x32
 PTF457-13: 457x650x32
Material: Aluminised Steel
Finish: TEFLON®

Party Pie Tray
PTP406-04 and PTP457-04



Configuration:
 11 rows of 5 (PTP406)
 11 rows of 6 (PTP457)
Impression Size: 65ø
Top Inside: 60ø
Base Outside: 40ø
Volume water: 65g, **Depth:** 25
Overall Dimensions:
 PTP406-04: 406x737x27
 PTP457-04: 457x737x27
Material: Tinplate, mild steel frame
Finish: PANGLAZE® interior, RKG2® ext.

Party Pie Tray
PTP406-13 and PTP457-13



Configuration:
 11 rows of 5 (PTP406)
 11 rows of 6 (PTP457)
Impression Size: 65ø
Top Inside: 60ø
Base Outside: 40ø
Volume water: 65g, **Depth:** 25
Overall Dimensions:
 PTP406-13: 406x740x27
 PTP457-13: 457x740x27
Material: Aluminised Steel
Finish: TEFLON®

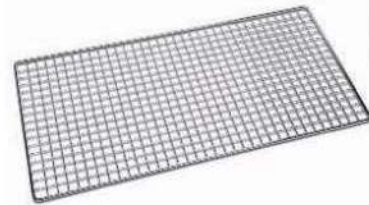
COOLING WIRES

Stainless Steel Cooling Wires
For TR Style Production Racks



Overall Dimensions:
 CW816SS: 406x737
 CW818SS: 457x737
Finish: Stainless Steel

Wire Shelf For HB15 Racks



Overall Dimensions:
 HBSSSQ: 457x914
 HBSSSQS: 457x914 (with stopper)
Finish: Stainless Steel

Wire Basket (shallow) for HB15SS & HB5TSS Racks HBBSS50



Overall Dimensions: 455x915x65
Finish: Stainless Steel

Wire Basket (deep) for HB15SS & HB5TSS Racks HBBSS150



Overall Dimensions: 455x915x150
Finish: Stainless Steel

SINCE 1924

SPECIALITY PANS

Cob/Boston/Sponge Pan CBS178/6 & CBS178/1



Configuration: 3 rows of 2
CBS178/1 is available as a single pan
Top Inside: 184ø
Base Outside: 178ø
Depth: 39
Overall Dimensions: 406x737x39
Material: Aluminised Steel
Finish: Natural or TEFLON®

Variety Loaf Single Pans



Most panset sizes are available as single pans
Material: Aluminised Steel
Finish: PANGLAZE®, RKG2® or TEFLON®

RACK SYSTEMS

Stainless Steel FLATPACK TRSS Production Racks



Front loading Racks for bread pans and roll trays fully adjustable to suit 16" (406mm) or 18" (457mm) trays.

TR12SS COLLAPS: 12 shelves
TR18SS COLLAPS: 18 shelves
TR22SS COLLAPS: 22 shelves

Finish: Stainless Steel
 Shipped flat packed

**FREE RACK COVER WITH ALL
 FLAT PACKED TRSS Model RACKS**

Stainless Steel FLATPACK Production Rack TR12SS



TR12SS COLLAPS 12 shelves:
Shelf Spacing: 136
Inside Width: adjustable 406 or 457
Overall Dimensions:
 (HWD assembled) 470x1830x740
Optional Backstop Bar Available
Finish: Stainless Steel

Stainless Steel FLATPACK Production Rack TR18SS



TR18SS COLLAPS 18 shelves:
Shelf Spacing: 91
Inside Width: adjustable 406 or 457
Overall Dimensions:
 (HWD assembled) 470x1830x740
Optional Backstop Bar Available
Finish: Stainless Steel

Stainless Steel FLATPACK Production Rack TR22SS



TR22SS COLLAPS 22 shelves:
Shelf Spacing: 74
Inside Width: adjustable 406 or 457
Overall Dimensions:
 (HWD assembled) 470x1830x740
Optional Backstop Bar Available
Finish: Stainless Steel

Stainless Steel FLATPACK Cooling Rack Straight HB15SS



Stainless Steel Side loading
Shelves: 15 Straight, **Shelf Spacing:** 88
Capacity: 15 flat wires or 15 wire baskets
Overall Dimensions:
 (HWD assembled) 975x1750x455
Finish: Stainless Steel

Stainless Steel FLATPACK Tilting Display Rack HB5TSS



Stainless Steel Side loading
Shelves: 5 forward tilt, **Shelf Spacing:** 270
Capacity: 5 wire baskets
Overall Dimensions:
 (HWD assembled) 975x1785x455
Finish: Stainless Steel

Stainless Steel Custom Racks



Custom made racks manufactured for your bakery's specific products and processes.

Rack contents not included.

*All measurements are in millimetres.
 Mackies reserves the rights to modify
 specification at all times.*

SINCE 1924

GASTRONORM BAKEWARE

Mini Muffin Tray GN 1/1 HS47-10



Overall Dimensions GN 1/1: 530x325
 Configuration: 5 rows of 8
 Top Inside: 47ø, Base Outside: 30ø
 Depth: 25, Weight: 2.5kg
 Material: Aluminised Steel
 Finish: Teflon® Coated

Regular Muffin Tray GN 1/1 HS70-10



Overall Dimensions GN 1/1: 530x325
 Configuration: 3 rows of 6
 Top Inside: 70ø, Base Outside: 55ø
 Depth: 35, Weight: 2.4kg
 Material: Aluminised Steel
 Finish: Teflon® Coated

Texas Muffin Tray GN 1/1 HS88-10



Overall Dimensions GN 1/1: 530x325
 Configuration: 2 rows of 4, 1 row of 3
 Top Inside: 88ø, Base Outside: 66ø
 Depth: 45, Weight: 2.4kg
 Material: Aluminised Steel
 Finish: Teflon® Coated

Multi-Purpose Non-Perforated 3 sided Tray GN 1/2, GN 1/1 3S-10



Overall Dimensions GN 1/2: 325x265
 Weight: 0.5kg, Depth: 9
 Thickness: 2mm, 45° turn up on 3 sides
 Overall Dimensions GN 1/1: 530x325
 Weight: 0.9kg, Depth: 9
 Thickness: 2mm, 45° turn up on 3 sides
 Material: Aluminium
 Finish: Teflon® Coated

Multi-Purpose Perforated 4 sided Trays GN 1/2, GN 1/1, GN 2/1 P-10



GN 1/2P-10 - Overall Dimensions: 325x265
 Weight: 0.5kg, Depth: 9
 GN 1/1P-10 - Overall Dimensions: 530x325
 Weight: 1kg, Depth: 9
 GN 2/1P-10 - Overall Dimensions: 650x530
 Weight: 1.9kg, Depth: 9
 Thickness: 2mm, 45° turn up on 3 sides
 Material: Aluminium
 Finish: Teflon® Coated

Stainless Steel Cooling wires Oven Grid Rack GastroCWSS



Overall Dimensions GN 1/1: 530x325
 Weight: 0.82kg, Depth: 8, Outside wire: 5
 Cross wire: 3
 Finish: Stainless Steel

Stainless Steel Cooling wires Oven Grid Rack GN 2/1



Overall Dimensions GN 2/1: 530x650
 Weight: 2.1kg, Depth: 11, Outside wire: 8
 Cross wire: 3
 Finish: Stainless Steel

Pie Pallet Round Upright GN 1/1 R1WF-10



Overall Dimensions: 530x325
 Configuration: 2 rows of 4
 Material: Stainless Steel
 Finish: Teflon® Coated

Pie Pallet Party Pie GN 1/1 PTP-10



Overall Dimensions: 530x325
 Configuration: 4 rows of 7
 Material: Stainless Steel
 Finish: Teflon® Coated

Stainless Steel Hospitality Glass Rack TR9SS



Set at 16" to fit bins, Shelf Spacing: 180
 Overall Dimensions: 470x1830x740
 Includes free rack cover
 Includes Hospitality Pack (brake castors)
 Optional Backstop Bar Available
 Finish: Stainless Steel

Stainless Steel Trolley Rack 18 Shelf HB18S



Comes flat packed
 GN 1/2 – Width: 382
 GN 1/1 – Width: 382
 GN 2/1 – Width: 586
 Depth: 680, Height: 1650
 Includes 2 sets of spacer bars for
 GN 1/2, GN 1/1 and GN 2/1
 Finish: Stainless Steel
 Rack contents not included.

*All measurements are in millimetres.
 Mackies reserves the rights to modify
 specification at all times.*

SINCE 1924

BNG
 TRADING COMPANY

EURO BAKEWARE

Mini Cupcake/Muffin Tray EU47-10



Configuration: 5 rows of 8
Top Inside: 47 ϕ , **Base Outside:** 30 ϕ
Depth: 25, **Weight:** 2.5kg
Overall Dimensions: 400x600x25
Material: Aluminised Steel
Finish: Teflon® Coated

Regular Muffin Tray EU70-10



Configuration: 4 rows of 6
Top Inside: 70 ϕ , **Base Outside:** 55 ϕ
Depth: 35, **Weight:** 2.4kg
Overall Dimensions: 400x600x35
Material: Aluminised Steel
Finish: Teflon® Coated

Jumbo Cupcake Muffin Tray EU88-10



Configuration: 3 rows of 5
Top Inside: 88 ϕ , **Base Outside:** 66 ϕ ,
Depth: 45, **Weight:** 2.4kg
Overall Dimensions: 400x600x45
Material: Aluminised Steel
Finish: Teflon® Coated

Multi-Purpose Non-Perforated 4 sided Baking Tray EUTrayNP-10



Overall Dimensions: 400x600x25
Depth: 25
Thickness: 2mm
Material: Aluminium
Finish: Teflon® Coated

Multi-Purpose Perforated 4 sided Baking Tray EUTrayP-10



Overall Dimensions: 400x600x25
Depth: 25
Thickness: 2mm
Material: Aluminium
Finish: Teflon® Coated

Stainless Steel Cooling wires Oven Grid Rack EUCWSS



Overall Dimensions: 400x600
Depth: 11
Weight: 2.1kg
Outside wire: 8, **Cross wire:** 3
Finish: Stainless Steel

Perforated Baguette French Stick Tray EUASV5-02



No of Impressions: 5
Overall Dimensions: 400x600
Depth: 40
Material: Aluminium
Finish: Silicone Glazed

Aluminium Rack TR20AL



Overall Dimensions:
Depth: 660, **Height:** 1760, **Width:** 415
Weight: 13.2kg, **Capacity:** 220kg
Internal Width Adjustable (DIY):
to suit 410 or 460 trays
Shelf Space: 75
Suitable for:
American Standard Trays 460x660
Euro Trays 400x600
Australian Baking Trays 400 or 460x736
Finish: Aluminium
Rack contents not included.

SINCE 1924

BNG
TRADING COMPANY

DRUM PALLETS

Drum Pallet - Horizontal Storage solution for standard 205L Drum



Overall Dimensions:

Length: 1760

Width: 730

Height: 220

Weight: 15kg

Stacks up to 5 drums high

Material: 25mm outside diameter 1.6mm

ERW tube & 25x6mm flat bar

Surface Finish: Hot dipped galvanised

PALLET BIN – AN IDEAL WAY TO STORE, HANDLE & FURTHER PROTECT VARIOUS ITEMS

The Mackie's Material Handling Solution product – Pallet Bin has been utilised in various conditions requiring a heavy duty, secure way (frame padlock lockable) to store and transport materials.

A few applications where the product may be suited include warehouses, engineering workshops, freight forwarders, produce markets and farms.

The bin fits onto standard Australian wooden pallets and has a single capacity of 850kg or 340kg per pallet bin when stacked 2 or more.

With a dual access drop gate, optional lid and flat pack design allows warehouse and logistics teams not only an easier way to load and unload the stored products but also save space when not in use. It may well save freight costs as well if bins and pallets are on a returnable schedule. Additionally, the 7mm diameter wire mesh (hot dipped galvanised finish) provides a breathable and visible transport solution for ease of checking items at despatch or destination.

Pallet Bin B1241A



Overall Dimensions:

Height: 850

Length: 1182

Width: 1182

Weight: 43kg total

Capacity: 850kg per pallet bin

Stacked Capacity: 340kg per pallet bin

Material: 7mm diameter wire mesh

& 9mm diameter wire clips

(hot dipped galvanised finish)

Surface Finish: Zinc Coated



SINCE 1924

BNG
TRADING COMPANY

HEAVY DUTY FLOOR TILES

Stainless Steel Floor Tiles B430SS



Dimensions: 305x305x20
Material: 2.5 thick Stainless Steel
Weight: 2kg
Available in packs of 18 (1.674 sqm)
Installation instructions: available on request

Galvanised Steel Floor Tiles B430GAL



Dimensions: 305x305x20
Material: 2.5 thick Galvanised Steel
Weight: 2kg
Available in packs of 18 (1.674 sqm)
Installation instructions: available on request

Mild Steel Floor Tiles B430MS



Dimensions: 305x305x20
Material: 2.5 thick Mild Steel
Weight: 2kg
Available in packs of 18 (1.674 sqm)
Installation instructions: available on request

Checkerplate Floor Tiles B430CP



Dimensions: 305x305x20
Material: 2.5 thick Checkerplate Mild Steel
Weight: 2kg
Available in packs of 18 (1.674 sqm)
Installation instructions: available on request

RACK SYSTEMS

Stainless Steel FLATPACK TRSS Production Racks



Front loading for bread pans fully adjustable to suit 16" (406mm) or 18" (457mm) trays.

TR12SSCOLLAPS 12 shelves:

Shelf Spacing: 136
Inside Width: adjustable 406 or 457

Overall Dimensions:
(HWD assembled) 470x1830x740

TR18SSCOLLAPS 18 shelves:

Shelf Spacing: 91
Inside Width: adjustable 406 or 457

Overall Dimensions:
(HWD assembled) 470x1830x740

TR22SSCOLLAPS 22 shelves:

Shelf Spacing: 74
Inside Width: adjustable 406 or 457

Overall Dimensions:
(HWD assembled) 470x1830x740

Finish: Stainless Steel

Optional Backstop Bar Available
FREE RACK COVER WITH ALL
FLAT PACKED TRSS Model RACKS

Stainless Steel Hospitality Glass Rack TR9SS



Set at 16" to fit bins, **Shelf Spacing:** 180
Overall Dimensions: 470x1830x740
Includes free rack cover
Includes Hospitality Pack (brake castors)
Optional Backstop Bar Available
Finish: Stainless Steel

Stainless Steel FLATPACK Cooling Rack Straight HB15SS



Shelves: 15 Straight, **Shelf Spacing:** 88
Capacity: 15 flat wires or 15 wire baskets
Overall Dimensions: 975x1750x455
Finish: Stainless Steel

Stainless Steel FLATPACK Tilting Display Rack HB5TSS



Shelves: 5 forward tilt, **Shelf Spacing:** 270
Capacity: 5 wire baskets
Overall Dimensions: 975x1785x455
Finish: Stainless Steel

Stainless Steel Custom Racks



Custom made racks manufactured for your bakery's specific products and processes.

Rack contents not included.

*All measurements are in millimetres.
Mackies reserves the rights to modify specification at all times.*

SINCE 1924

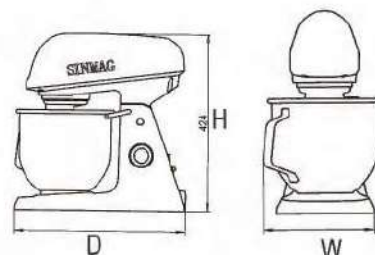
BNG
TRADING COMPANY

PLANETARY MIXER - TABLE MODEL

Standard Attachment for SM-5L



Standard Attachment for SM-7L



SM-5L: Bowl capacity:5 liters

SM-7L: Bowl capacity:7 liters

Features

SM-5L

- Easy to move and operate.
- Lasting for long time.
- Use for eggs mixing, flour kneading, mush potato mixing etc.

SM-7L

- High torque DC motor, 350W low power consumption, very quiet.
- Aluminum mixer body.
- 11 step-less speeds, making the speed shifting more natural and smooth.
- All-metal gear transmission with high precision.
- Overload protection ensures longer motor service life.
- Color for choice: Silver Orange Milky white
- Optional plexiglass cover reduces splashing of ingredients and prevents access to mixing area when mixer is running.



Model	SM-5L	SM-7L
Capacity(liter)	5	7
Agitator Speed(rpm) 1st-10th	0-300	100-938
Power(kw)	0.32	0.35
Outside Dimension(mm) (W*D*H)	234X389X400	231X409X424
Weight(kg)	12	16
Standard Attachment	bowl,beater,hook and whipping ball	

Drawings, descriptions and photos are not contractual and can be modified.

SINCE 1924



SINCE 1983

SINMAG

PLANETARY MIXER - BELT DRIVE SERIES



SM-101 Bowl capacity:10 liters

SM-201 Bowl capacity:20 liters

SM-401 Bowl capacity:40 liters

Features

- 3 speeds.
- Mechanical transmission.
- Standard with bowl, whipping ball, beater and hook.
- The machine has to be stopped to change gears.
- With low noise and long life transmission gears.
- Mainly used to prepare biscuit/cookie batter, cake batter and cream whipping.
- Color for choice: ①white / ② silver
③grey+white / ④ grey+silver



Model	SM-101	SM-201	SM-401
Capacity(liter)	10	20	40
Agitator Speed(rpm) 1st/2nd/3rd speed	148/307/509	127/287/534	105/208/404
Power(kw)	0.25	0.5	0.75
Outside Dimension(mm) (W*D*H)	430X430X700	510X530X830	620X670X1000
Weight(kg)	60	94	170
Option	spiral hook	spiral hook	spiral hook

Drawings, descriptions and photos are not contractual and can be modified.

SINCE 1924



SINCE 1983



PLANETARY MIXER - CLUTCH SYSTEM



Standard Attachment



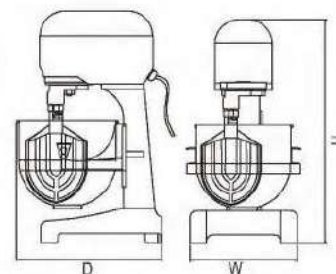
Option



SM-100C

SM-200C/SM200CH

SM-300C/SM-500C



- SM-100C Bowl capacity:10 liters
- SM-200C Bowl capacity:20 liters
- SM-300C Bowl capacity:30 liters
- SM-500C Bowl capacity:50 liters
- SM-600C Bowl capacity:60 liters

Features

- 3 speeds.
- Mechanical transmission.
- Standard with bowl,whipping ball,beater and hook.
- The machine has to be stopped to change gears.
- With low noise and long life transmission gears.
- Mainly used to prepare biscuit/cookie batter, cake batter and cream whipping.



Model	SM-100C	SM-200C	SM-200CH	SM-300C	SM-500C	SM-600C
Capacity(liter)	10	20	20	30	50	60
Agitator Speed(rpm)	148/307/509	158/293/535	158/293/535	116/208/464	116/208/464	73/109/146/218
Power(kw)	0.25	0.5	0.5	1.2	1.2	2.2/2.8
Outside Dimension(mm) (W*D*H)	430X430X700	510X540X880	510X540X1052	560X700X1330	560X700X1330	830X910X1450
Weight(kg)	60	100	120	190	250	480
Standard Attachment		bowl,beater,hook and whipping ball			bowl trolley for SM-600C	
Option		safety grids,drive hub,spiral hook				

Drawings,descriptions and photos are not contractual and can be modified.

SINCE 1924



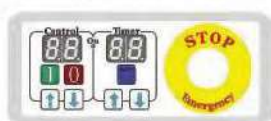
SINCE 1983

SINMAG

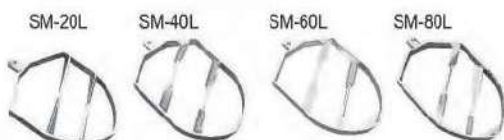
PLANETARY MIXER - DIGITAL SERIES



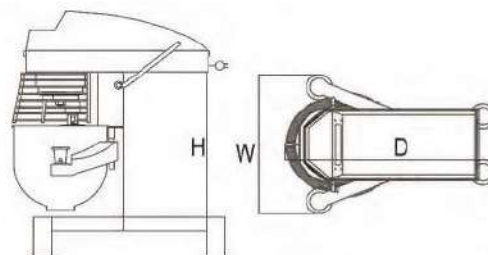
Control Panel



Option beater:



SM-60L option spiral hook:



- SM-20L Bowl capacity:20 liters
- SM-40L Bowl capacity:40 liters
- SM-60L/60LM Bowl capacity:60 liters
- SM-80L Bowl capacity:80 liters

Features

- Digital panel.
- 10 speeds changed by inverter.
- Standard with bowl, whipping ball, beater and hook.
- SM-60LM&SM80L:with automatic bowl lifting.
- Optionally available with reduction bowl.
- With safety grids to protect operator.
- With low noise and long life transmission gears.
- Mainly used to prepare biscuit/cookie batter, cake batter and cream whipping.

Drawings, descriptions and photos are not contractual and can be modified.



Model	SM-20L	SM-40L	SM-60L/60LM	SM-80L
Capacity(liter)	20	40	60	80
Agitator Speed(rpm) 1st-10th	148-492	125-424	169-420	133-400
Power(kw)	1.1	2.2	3	4.5
Outside Dimension(mm) (W*D*H)	560X840X950	740X1010X1400	840X1100X1500	870X1250X1670
Weight(kg)	125	270	385/398	490
Standard Attachment	bowl, beater, hook, whipping ball, safety grids; iron trolley for SM60L and 80L			

SINCE 1924



SINCE 1983

SINMAG

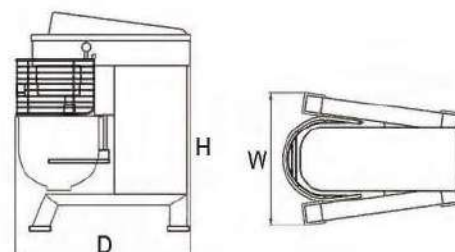
PLANETARY MIXER - WITH INVERTER



Control Panel



With hygienic shaft cover



- SM2-20L Bowl capacity:20 liters
- SM2-40L Bowl capacity:40 liters
- SM2-60L Bowl capacity:60 liters
- SM2-80L Bowl capacity:80 liters

Features

- A good appearance and a durable structure.
- With hygienic shaft cover.
- Full transparent cover and safety grids, allow dish washing machine for cleaning.
- With damper in safety cover.
- Digital panel.
- 10 speeds changed by inverter.
- SM2-80L:with automatic bowl lifting.
- Optionally available with reduction bowl.
- With low noise and long life transmission gears.
- Mainly used to prepare biscuit/cookie batter, cake batter and cream whipping.



Model	SM2-20L	SM2-40L	SM2-60L	SM2-80L
Capacity(liter)	20	40	60	80
Agitator Speed(rpm) 1st-10th	148-492	125-424	169-420	133-400
Power(kw)	1.1	2.2	3	4.5
Outside Dimension(mm) (W*D*H)	564X750X927	732X838X1379	729X972X1463	758X1037X1677
Weight(kg)	110	250	360	470
Standard Attachment	bowl,beater,hook,whipping ball,safety grids; stainless steel trolley for SM2-60L and 80L			

Drawings,descriptions and photos are not contractual and can be modified.

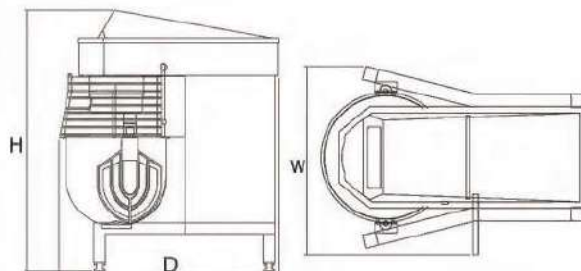
SINCE 1924



SINCE 1983



PLANETARY MIXER - STAINLESS STEEL



- SM-10LS Bowl capacity:10 liters
- SM-20LS Bowl capacity:20liters
- SM-40LS Bowl capacity:40liters
- SM-60LS Bowl capacity:60liters
- SM-80LS Bowl capacity:80liters
- SM-80LGS Bowl capacity:80liters

Features

- 10 speeds with a constant force.
- Standard with bowl, whip, flat beater and hook.safety grids.
- Fit for use in butcher shops.
- Machine fully in stainless steel.
- Meets the most stringent hygiene standards.
- SM-20LS/40LS/60LS/60LMS/SM80LS/SM80LGS
Optionally available with reduction bowl.



Model	SM-10LS	SM-20LS	SM-40LS	SM-60LS	SM-60LMS	SM-80LS	SM-80LGS
Capacity(liter)	10	20	40	60	60	80	80
Agitator Speed(rpm) 1st-10th	148-509	148-492	125-424	169-420	169-420	133-400	133-400
Power(kw)	0.75	1.1	2.2	3	3	4.5	4.5
Weight(kg)	120	160	320	380	380	480	500
Outside Dimension(mm)(W*D*H)	426X650X811	525X751X899	585X835X1345	550X840X1350	550X840X1350	768X1035X1695	766X1035X1910
Standard Attachment	bowl,beater,hook,whipping ball,safety grids;stainless steel trolley for SM-60LS&SM-60LMS&SM-80LS&SM-80LGS						
Option	/	/	scraper	scraper	scraper	scraper	scraper

Drawings,descriptions and photos are not contractual and can be modified.

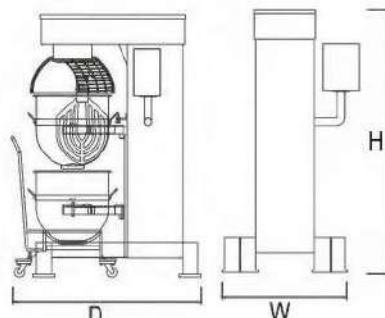
SINCE 1924

BNG
TRADING COMPANY

SINCE 1983

SINMAG

PLANETARY MIXER - MULTI SPEED SYSTEM



SM-60LG Bowl capacity:60 liters

SM-80LT Bowl capacity:80 liters

Standard Attachment for SM-60LG: bowl,beater,whipping ball,hook,safety grids,bowl trolley.

Standard Attachment for SM-80LT: bowl,2 beaters,2 whipping balls,safety grids,bowl trolley,scraper.

Features

- SM-60LG has higher machine frame than SM-60LM.
- Bowl dolly could be easily removed from machine without removal of mixing tools.
- Adopt new style light-weight bowl dolly, easy for handling.
- With steel top cover, much solid.
- With touch-screen control panel,10 adjustable speeds available.
- Even mixing performance.
- SM-80LT: twin whippers reduce mixing time.



Model	SM-60LG	SM-80LT
Capacity(liter)	60	80
Power(kw)	3	4.7
Outside Dimension(mm) (W*D*H)	840X1100X1675	800X1102X1747
Weight(kg)	410	586
Option	scraper	/

Drawings,descriptions and photos are not contractual and can be modified.

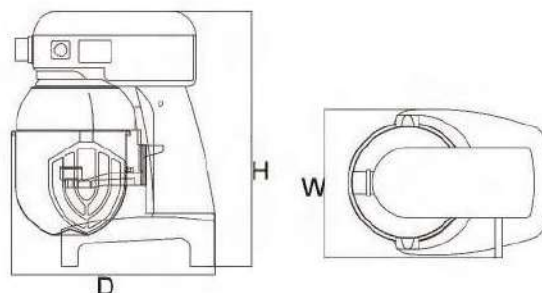
SINCE 1924



SINCE 1983

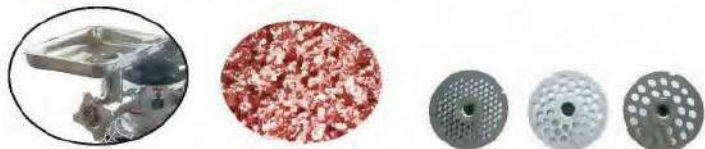
SINMAG

PLANETARY MIXER - GEAR DRIVE TRANSMISSION



Optional accessories

① Meat mincing and sausage stuffing



③ Meat tenderizer



② Vegetable cutter



④ Meat slicing



Features

- Function: Dough blending, egg battering, meat mincing, veg slicing and mixing of other ingredients.
- Suitable for kitchens and canteens of businesses, factories, schools and troops.
- Reasonable design.
- Multiple purpose.
- Tidy and fine outlook.
- Easy operation.
- High efficiency.
- Easy cleaning.



SM-200G



SM-400G

Model	SM-200G	SM-400G
Capacity(liter)	20	40
Agitator Speed(rpm) 1st/2nd/3rd speed	107/198/365	116/208/398
Power(kw)	1.1	2.2
Outside Dimension(mm) (W*D*H)	425X592X740	550X690X1000
Weight(kg)	130	200
Standard attachment	bowl, whipping ball, beater, hook and safety grids	

Drawings, descriptions and photos are not contractual and can be modified.

SINCE 1924

BNG
TRADING COMPANY

SINCE 1983

SINMAG

SPIRAL MIXER - FIXED BOWL

Sinmag spiral mixer starts from 1983, the hit product of Sinmag. After testing and improving for 28 years, it already has the mature design, reliable performance and perfect after-sales service. Now the Sinmag spiral mixer has already occupied big market share. Sinmag has appeared in large bakery shops, central food processing factories, supermarkets and education academy. Sinmag mixers are exported to America, Europe, South-Africa and Japan. SM2-10 looks more beautiful, the function is more completed, and it is more suitable for home industry, studio and small shop.



Features

- Digital Control panel.
- Normal mixing time: low speed 3min, fast speed 3min; After low speed 3min mixing, there's no flour in the bowl.
- After mixing, there's no granule in the dough, the gluten can pull to the thin film.
- Micro computer control, it will run automatically until finishing after you set the time.
- The material of mixing area meets the request of food hygiene.
- The material of the hook is imported from Japan, process in Taiwan.
- The bowl is made of SUS304 stainless steel with polishing.
- When open the safety grid, the mixer stops immediately to avoid the hand entering the mixing area.

Model	SM2-10
Capacity(kg) Flour	5
Capacity(kg) Dough	10
Spiral Power(kw)	1.1
Bowl Power(kw)	/
Spiral Speed(rpm) 1st Speed	135
Spiral Speed(rpm) 2nd Speed	270
Bowl Speed(rpm) 1st Speed	12
Bowl Speed(rpm) 2nd Speed	24
Weight(kg)	88
Outside Dimension(mm) (W*D*H)	375X700X810

Drawings, descriptions and photos are not contractual and can be modified.

SINCE 1924



SINCE 1983

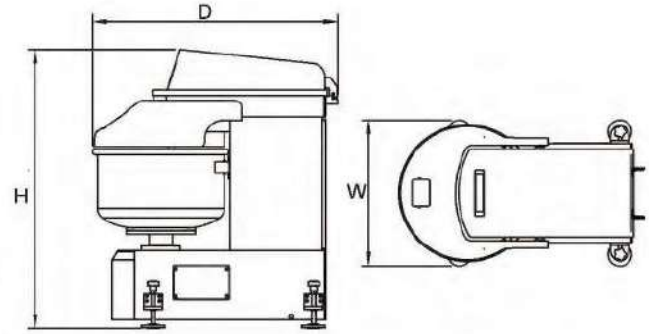
SINMAG

SPIRAL MIXER - FIXED BOWL SERIES

SM2-25/SM2-50/SM2-50T/SM2-60T/SM2-80T
option panel



SM2-120T/SM2-200T option panel



Features

- Digital control panel.
- Solid construction.
- SM2-25, SM-50 single-motor driven.
- From SM2-50T, two motors.
- Short mixing time with excellent kneading result.
- Switch for manual or automatic function.
- With dust cover.
- Mounted on castors, easily movable.
- Stainless steel hook and bowl.
- ABS plastic cover or safety grids cover for choice. (SM2-25, ABS safety cover only)



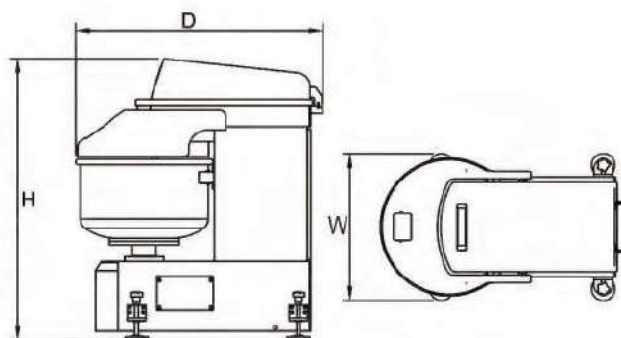
Model	SM2-25	SM-50	SM2-50T	SM2-60T	SM2-80T	SM2-120T	SM2-200T
Capacity(kg) Flour	12.5	25	25	37.5	50	75	125
Capacity(kg) Dough	25	50	50	60	80	120	200
Spiral Power(kw)	2.2	3	3	4.5	4.5	9	12
Bowl Power(kw)	/	/	0.75	0.75	0.75	0.55	1.5
Spiral Speed(rpm) 1st Speed	140	135	135	135	125	110	98
Spiral Speed(rpm) 2nd Speed	280	270	270	270	250	220	196
Bowl Speed(rpm) 1st Speed	12.8	12.8	17.8	17.8	17.2	13	11
Bowl Speed(rpm) 2nd Speed	25.5	25.5	17.8	17.8	17.2	13	11
Weight(kg)	155	285	285	325	425	640	1050
Outside Dimension(mm) (W*D*H)	590X880X1100	640X1080X1120	640X1080X1220	660X1000X1300	765X1280X1310	830X1470X1460	980X1710X1580

Drawings, descriptions and photos are not contractual and can be modified.

SPIRAL MIXER - FIXED BOWL SERIES



Control panel for KM-25/50T/80T/120T



Features

- Digital control panel.
- Solid construction.
- KM-25 single-motor driven.
- From KM-50T, two motors.
- Three timers for programming reverse direction and both speeds.
- Short mixing time with excellent kneading result.
- Switch for manual or automatic function.
- With dust cover.
- Mounted on castors, easily movable.
- Stainless steel hook and bowl.
- ABS plastic cover and safety grids cover for choice (KM-25, ABS safety cover only)



Model	KM-25	KM-50T	KM-80T	KM-120T
Capacity(kg) Flour	12.5	25	50	75
Capacity(kg) Dough	25	50	80	120
Spiral Power(kw)	2.2	3	4.5	9
Bowl Power(kw)	/	0.75	0.75	0.55
Spiral Speed(rpm) 1st Speed	140	135	125	110
Spiral Speed(rpm) 2nd Speed	280	270	250	220
Bowl Speed(rpm) 1st Speed	12.8	17.8	17.2	13
Bowl Speed(rpm) 2nd Speed	25.5	17.8	17.2	13
Weight(kg)	150	320	390	610
Outside Dimension(mm) (W*D*H)	490X860X1070	600X1000X1200	720X1210X1350	830X1350X1400

Drawings, descriptions and photos are not contractual and can be modified.

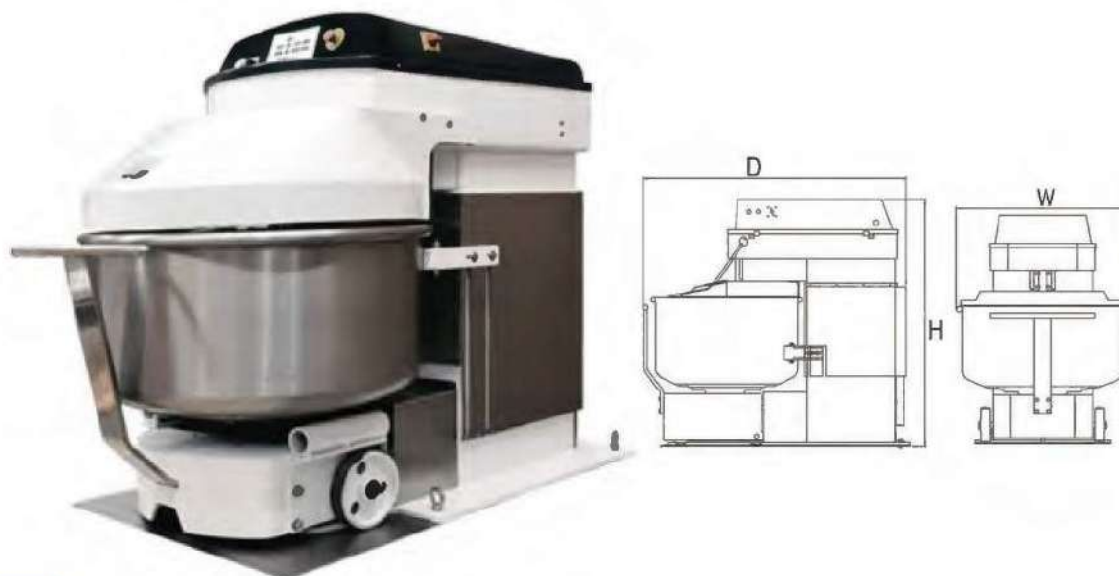
SINCE 1924



SINCE 1983

SINMAG

SPIRAL MIXER - WITH REMOVABLE BOWL



Features

- Digital control, solid construction.
- Machine head goes up vertically.
- Hydraulic lifting system for the machine head.
- Three timers for programming reverse direction and both speeds.
- Bowl drive by transmission wheel with rubber coating.
- The bowl is pulled automatically against the transmission wheel by means of a hydraulic system.
- Besides digital control panel, manual switch is equipped in case the former one has problem.
- Stainless steel hook and bowl.



Model

SM2-120aE

SM2-200aE

Capacity(kg) Flour	75	125
Capacity(kg) Dough	120	200
Spiral Power(kw)	9	12
Bowl Power(kw)	0.75	1.5
Spiral Speed(rpm) 1st Speed	110	105
Spiral Speed(rpm) 2nd Speed	220	210
Bowl Speed(rpm)	13	11
Weight(kg)	1300	1350
Outside Dimension(mm) (W*D*H)	830X1660X1370	1215X1820X1510
Option	Bowl lifter	

Drawings, descriptions and photos are not contractual and can be modified.

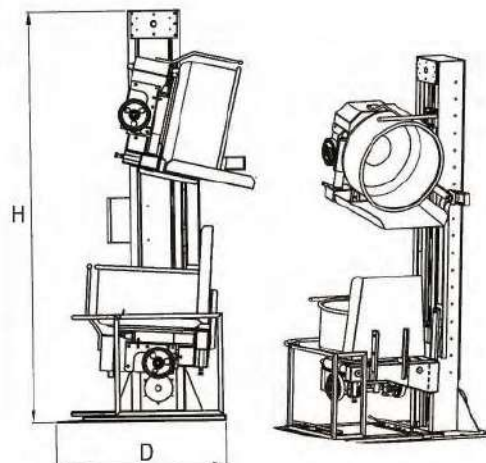
SINCE 1924

BNG
TRADING COMPANY

SINCE 1983

SINMAG

BOWL LIFTER AND TIPPER



Features

BLT-120/200/1800 Bowl lifter and tipper

- Save large working time and manpower.
- Mainly used in large production bakery or big food manufacturing factory, continuous production, automatic production line.
- Can offer special design for safety lifting and tilting of bowls for special working height.
- Standard with motor protective cover.
- The direction of lifting bowl can be left or right.

FG2-120/FG2-200 Bowl turner

- Used to turn the bowl for about 95 degrees in order to spill the dough on the working table.
- Save much labor force, and enhance the working efficiency.



Model	BLT-120/1800	BLT-200/1800	FG2-120	FG2-200
Power(kw)	1.5	1.5	0.75	0.75
Depth(mm)	1250	1250	/	/
Bowl-lifting Height(mm)	standard height is 1800, other height can be customized		/	/
Other Height(mm)	can be customized		/	/
Available Turning Height(mm)	/	/	970	970
Dimension(mm) (W*D*H)	/	/	1600X1790X2100	1600X2000X2200

Drawings, descriptions and photos are not contractual and can be modified.

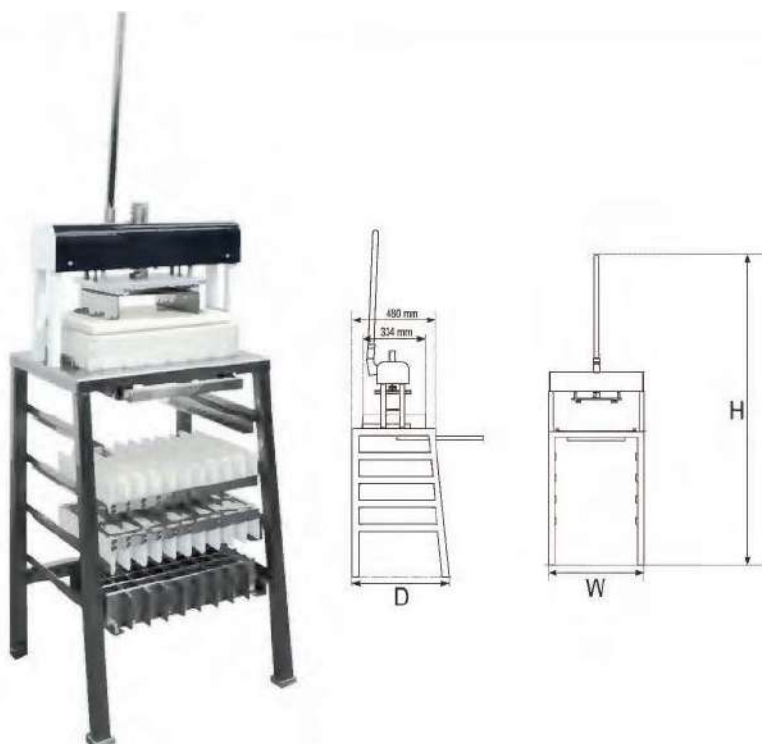
SINCE 1924

BNG
TRADING COMPANY

SINCE 1983

SINMAG

DOUGH DRIVER - MANUAL



Features

- Manual dough dividing and moulding.
- Divide dough evenly.
- Dough pressing handle.
- Stainless steel table.
- No electrical connection required.
- Takes little space.
- Equipped with dividing bin.
- SDB-20B: Cutting grids are optional, easily interchangeable; mounted on two fixed wheels; easy to move; storage for 4 grids.
Can be customized other division.
Optionally available with 4 grids.



SDB-20A



SDB-20B



SDB-20C

Model	SDB-20A	SDB-20B	SDB-20C
Number of Division	20	10 / 20 / 40 / others	10 / 20 / 40 / others
Weight Range per Piece(g)	100-300	300-800 / 150-400 / 75-200 / others	300-800 / 150-400 / 75-200 / others
Weight(kg)	81	74	50
Dimension(mm)	Width	620	610
	Depth	600	500
	Height	1960	1960

Drawings, descriptions and photos are not contractual and can be modified.

SINCE 1924

BNG
TRADING COMPANY

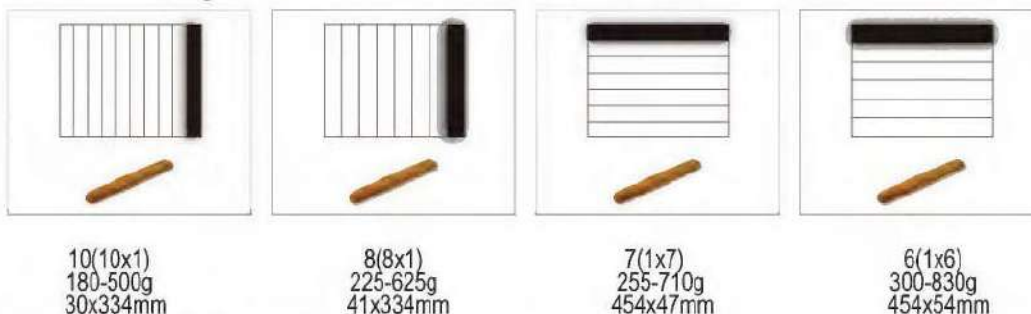
SINCE 1983

SINMAG

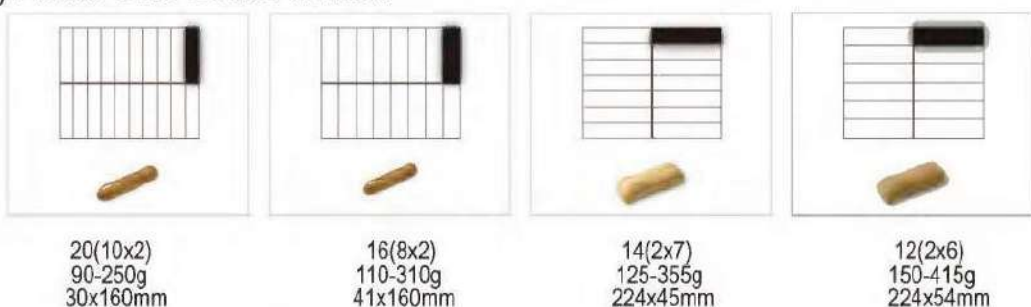
DOUGH DRIVER - MANUAL

SDB-20B GRIDS

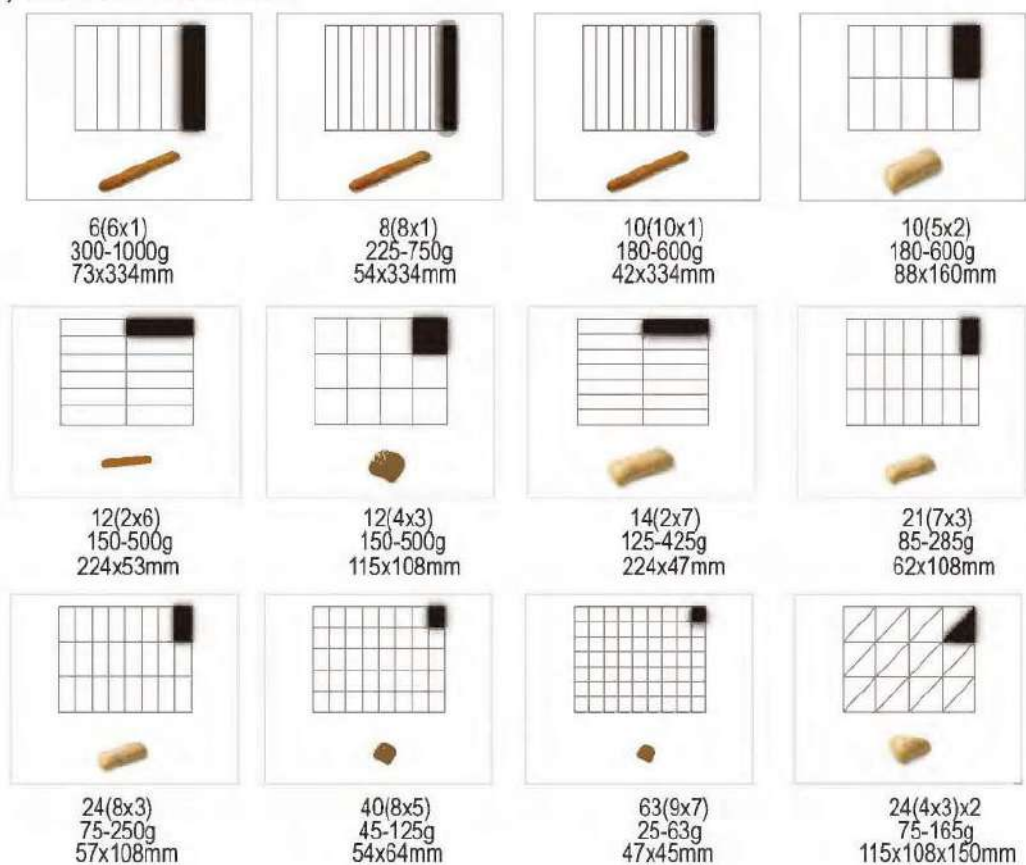
1) Plastic Grids-Single division



2) Plastic Grids-Double division



3) Stainless-Steel Grids



Drawings, descriptions and photos are not contractual and can be modified.

SINCE 1924

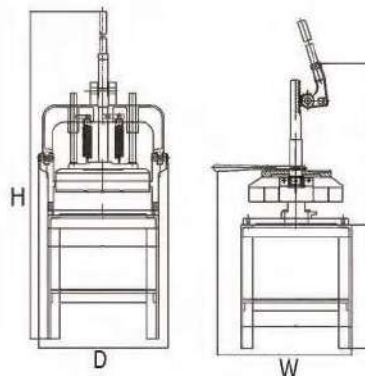
BNG
TRADING COMPANY

SINCE 1983

SINMAG

DOUGH DRIVER

SM-636/530/536



Features

- SM-530/536: Manual dough dividing; SM-636: Automatic dough divider.
- Divide dough evenly.
- The dough plates and blades which come into contact with the dough are of food-grade. It can ensure that the products are completed with a good quality.



Model	SM-530	SM-536	SM-636
Number of Division	30	36	36
Weight Range per Piece(g)	50-170	30-100	30-100
Weight(kg)	200	180	180
Dimension(mm)	Width	660	520
	Depth	620	180
	Height	1760	1780
Standard Attachment	two plastic moulding plates		

Drawings, descriptions and photos are not contractual and can be modified.

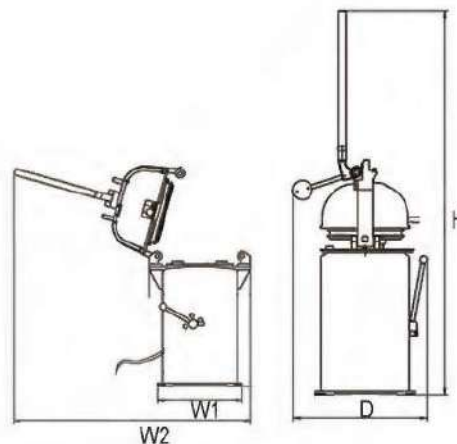
SINCE 1924

BNG
TRADING COMPANY

SINCE 1983

SINMAG

DIVIDER ROUNDER - SEMI-AUTOMATIC SERIES



Features

- Semi-automatic divider series.
- Divide and Round dough evenly.
- Perfect rounding for dough pieces.
- Machine can be opened on both sides for easy cleaning of knives.
- Easy adjustment for different dough weight.
- Can save large working time and finish rounding just in 8 seconds.
- Option: on castor can be customized.



Model	SM-330	SM-430	SM-936	SM-1136
Number of Division	30	30	36	36
Weight Range per Piece(g)	30-100	40-120	20-70	30-100
Power(kw)	0.75	0.75	0.75	0.75
Dimension(mm)	Width1	650	650	650
	Width2	1720	1720	1720
	Depth	710	710	710
	Height	2050	2050	2050
Weight(kg)	340	340	340	340
Standard Attachment	Three plastic moulding plates			

Drawings, descriptions and photos are not contractual and can be modified.

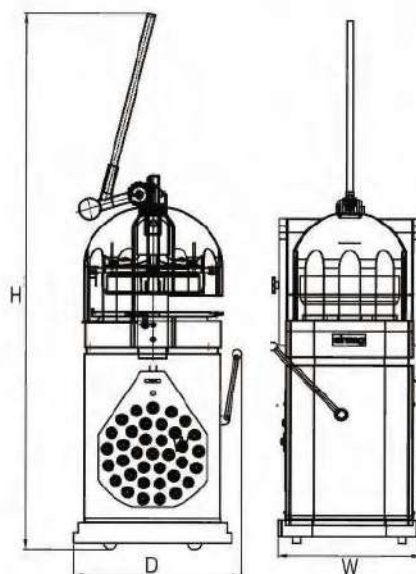
SINCE 1924

BNG
TRADING COMPANY

SINCE 1983

SINMAG

DIVIDER ROUNDER - SEMI-AUTOMATIC SERIES



Features

- Semi-Automatic series.
- Divide&Round dough evenly.
- Perfect rounding for dough pieces.
- Machine can be opened on both sides for easy cleaning of knives.
- Easy adjustment for different dough weight.
- Can save large working time and finish rounding just in 8 seconds.
- Red colour for plastic moulding plates.



Model	SM-330Y	SM-352Y	SM-430Y	SM-414Y	
Number of Division	30	52	30	14	
Weight Range per Piece(g)	30-100	16-45	40-130	130-250	
Power(kw)	0.55	0.55	0.55	0.55	
Dimension(mm)	Width	610	610	610	
	Width2	950	950	950	
	Depth	690	690	690	690
	Height	2100	2100	2100	2100
Weight(kg)	500	500	500	500	
Standard Attachment	three plastic moulding plates				

Drawings, descriptions and photos are not contractual and can be modified.

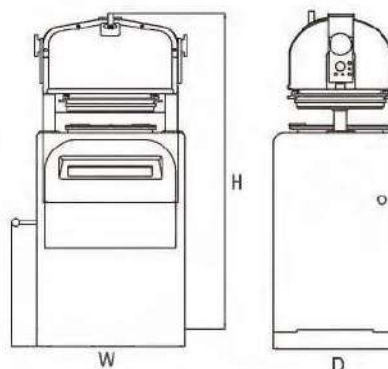
SINCE 1924

BNG
TRADING COMPANY

SINCE 1983

SINMAG

DIVIDER ROUNDER - FULLY-AUTOMATIC SERIES



Features

- Fully Automatic series.
- Divide&Round dough evenly.
- Perfect rounding for dough pieces.
- Machine can be opened on both sides for easy cleaning of knives.
- Easy adjustment for different dough weight.
- Save large working time and finish rounding 30 pieces just in about 8 seconds.
- Rounds about 6000 pcs per hour.
- SM-330A/SM-430A/SM-936A: by mechanical.
- SM-330AY/SM-352AY/SM-430AY/SM-414AY: by hydraulic. Machine head easily interchangeable.



Model	SM-330A	SM-430A	SM-936A	SM-330AY	SM-352AY	SM-430AY	SM-414AY
Number of Division	30	30	36	30	52	30	14
Weight Range per Piece(g)	30-100	40-120	20-70	30-100	16-45	40-130	130-250
Power(kw)	1.1	1.1	1.1	1.3	1.3	1.3	1.3
Dimension(mm)	Width	800	800	810	810	810	810
	Depth	600	600	600	720	720	720
	Height	1600	1600	1600	1790	1790	1790
Weight(kg)	560	560	560	370	370	370	370
Standard Attachment	Three plastic moulding plates						

Drawings, descriptions and photos are not contractual and can be modified.

SINCE 1924

BNG
TRADING COMPANY

SINCE 1983

SINMAG

DOUGH DIVIDER - HYDRAULIC DIVIDER



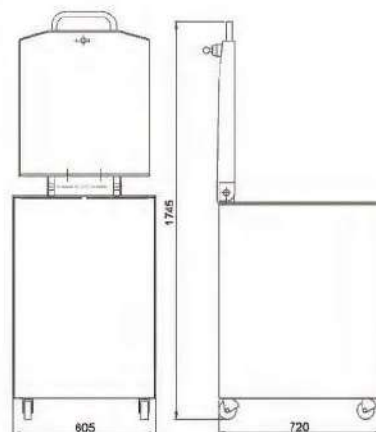
diameter:474mm



Length:505mm



Width:415mm



Features

- 1.Protection handle.
- 2.Automatic lid closing system.
- 3.20 divisions:100-950g.
- 4.Stainless steel bowl, blade and cover.
- 5.Automatic blade lifting system.
- 6.For DIV20M-D,with interchangeable grids.
- 7.Soft pressing plate.
- 8.System for pressure control.
- Round bowl or rectangular bowl.
- Press-segments in ABS.
- On castors with locking system.



Drawings,descriptions and photos are not contractual and can be modified.



SINCE 1924

BNG
TRADING COMPANY

SINCE 1983

SINMAG

DOUGH DIVIDER - HYDRAULIC DIVIDER

Standard Teflon Coated Stainless Steel Grids

5(5x1) 500-1000g 100x415mm	6(6x1) 500-900g 83x415mm	6(3x2) 168-207g 42x334mm	8(4x2) 315-750g 126x207mm	10(10x1) 250-600g 50x415mm	10(5x2) 300-600g 100x207mm	10(1x10) 300-600g 505x40mm	12(2x6) 250-500g 252.5x66mm	12(4x3) 250-500g 126x138
14(7x2) 180-430g 72x205mm	15(15x1) 230-400g 33x415mm	16(2x8) 156-375g 251x51mm	18(3x6) 139-333g 166x67mm	18(6x3) 150-300g 84x138mm	20(2x10) 150-300g 250x41mm	20(10x2) 150-300g 50x205mm	20(5x4) 150-300g 72x138mm	21(7x3) 120-250g 72x138
24(4x3)x2 105-210g 126x138x184mm	24(4x6) 105-210g 125x67mm	30(6x5) 80-160g 84x81mm	30(5x6) 80-160g 100x67mm	40(10x4) 70-150g 50x100mm	42(7x6) 60-125g 72x67mm	63(9x7) 40-85g 55x57mm	80(10x8) 15-65g 50x50mm	

Teflon Grids+Plastic Knives

10(10x1) 250-600g 50x415mm	9(9x1) 250-625g 55x415mm	8(8x1) 250-650g 62x415mm	8(1x8) 300-625g 505x50mm	7(1x7) 300-700g 505x57mm	6(1x6) 300-800g 505x66mm	5(5x1) 500-1200g 100x415mm	20(10x2) 125-300g 50x205mm



D20-D



DIV20M-F



DIV20M-D

Model	D20-D	DIV20M-F	DIV20M-D
Number of Division	20	20	20
Capacity per division	100-950g	100-950g	Grid
Power(kw)	2.2	2.2	2.2
Weight(kg)	265	265	285

Drawings, descriptions and photos are not contractual and can be modified.

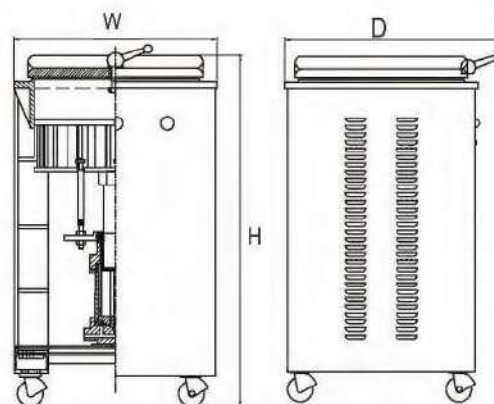
SINCE 1924

BNG
TRADING COMPANY

SINCE 1983

SINMAG

DOUGH DIVIDER - HYDRAULIC DIVIDER



Features

- D16/D20: round bowl.
- D24/DIV20: rectangular bowl.
- Wider range of division.
- Divide dough evenly.
- Press-segments in ABS.
- Bowl with stainless-steel ring.
- On castors with locking system.
- Save time, only cost 10-20 seconds for dividing, suitable for batch production.



Model	D16	D20	D24	DIV-20
Number of Division	16	20	24	20
Weight Range per Piece(g)	125-1000	100-800	80-650	100-800
Power(kw)	1.5	1.5	1.5	1.5
Dimension (mm)	Width	620	620	680
	Depth	810	810	700
	Height	1100	1100	1050
Weight(kg)	350	350	231	231
Standard Attachment	4 short cleaning-assistant pipes			

Drawings, descriptions and photos are not contractual and can be modified.

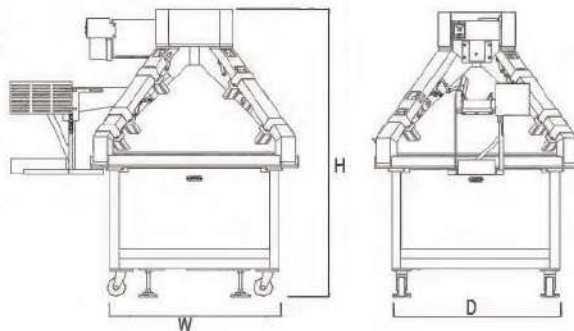
SINCE 1924



SINCE 1983



DOUGH ROUNDER - CONICAL ROUNDER



Features

- Under-frame in stainless steel.
- Teflon-coated cone and track.
- Available in two rounding lengths.
- Mounted on sturdy castors with locking system.
- All the rounders are mounted with the flour spraying system, it ensures the dough moves on the rounding track without any dough sticks.
- SMQ10/20, perfect for intermediate proofers output.



Model	SMQ-10	SMQ-20	SMQ-30
Capacity(pcs/h)	2000	4500	4500
Dough Track Length(m)	3.4	5.8	4.36
Dough Weight Range(g)	200-1200	200-1200	30-1200
Dimension (mm)	Width	1100	1200
	Depth	1200	1300
	Height	1500	1700
Weight(kg)	650	700	780
Power(kw)	0.75	0.75	0.9

Drawings, descriptions and photos are not contractual and can be modified.

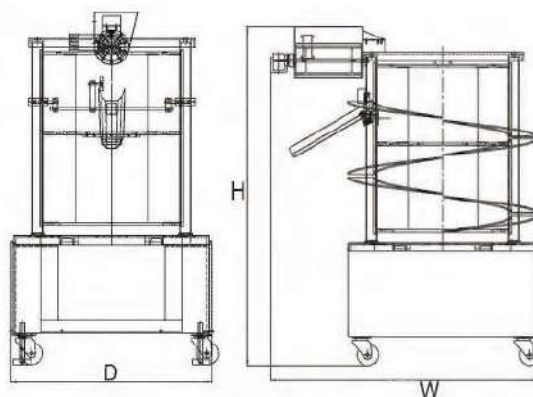
SINCE 1924



SINCE 1983

SINMAG

DOUGH ROUNDER - CYLINDER ROUNDER



Features

- Under-frame in stainless steel.
- Hard chrome coating cylinder and teflon coating track.
- Mechanical flour spraying system.
- Mounted on sturdy castors with locking system.



Model

SMQ-V6

Capacity(pcs/h)	6000	
Weight Range per Piece(g)	30-500	
Power(kw)	1.5	
Dimension(mm)	Width	1540
	Depth	1140
	Height	2040
Dough Track Max.Length(m)	5.1	
Flour duster(kw)	0.06	
Feeding Height(mm)	900	
Weight(kg)	1000	

Drawings, descriptions and photos are not contractual and can be modified.

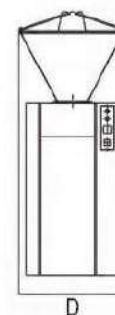
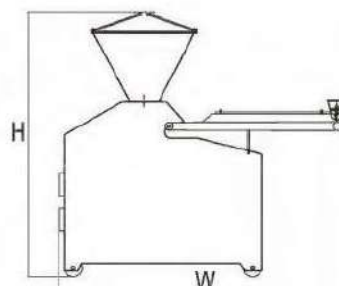
SINCE 1924

BNG
TRADING COMPANY

SINCE 1983

SINMAG

DOUGH DIVIDER - CONTINUOUS SERIES



Features

- Used for the dough division for toast, bun and the other kinds of bread.
- Equipped with a hopper which can load 80kg of dough.
- Mechanical flour spraying system.
- Divide dough evenly.
- Easy adjustment for different dough weight.
- Mounted on sturdy castors with locking system.



Model	SMD-1P/80	SMD-1P/110
Number of Pockets	1	1
Working Efficiency(pcs/h)	1200-1800	1200-1800
Dough Weight Range(g)	30-300	60-600
Dimension(mm)	Width	1650
	Depth	850
	Height	1700
Weight(kg)	700	700
Power(kw)	1.5	1.5
Hopper Capacity(kg)	80	80
Option	Air pump	Air pump

Drawings, descriptions and photos are not contractual and can be modified.

SINCE 1924



SINCE 1983

SINMAG

DOUGH DIVIDER- CONTINUOUS SERIES



Features

- Used for the dough division for toast, bun and the other kinds of bread.
- Equipped with a hopper which can load 90kg of dough for SMD-2P/4P, 40kg of dough for SMD-5P.
- Divide dough evenly.
- Easy adjustment for different dough weight.
- For SMD-5P

Mounted on sturdy castors with locking system .

Three sizes of rounding drum for choice and for standard price one drum only.



SMD-2P/4P



Model	SMD-2P/1	SMD-2P/2	SMD-2P/3	SMD-4P/1	SMD-4P/4	SMD-4P/6	SMD-5P
Number of Pockets	1	2	3	1	4	6	5
Working Efficiency(pcs/h)	1500	3000	4500	1500	6000	9000	7500
Power(kw)	1.7	1.7	1.7	2.4	2.4	2.4	2.4
Dimension(mm)	Width	1620	1620	1915	1915	1915	1480
	Depth	1370	1370	1370	1370	1370	2250
	Height	1790	1790	1790	1790	1790	1800
Hopper Capacity(kg)	113	113	113	190	190	190	40
Air Pressure(kgf/cm ²)	Not below 5(prepared by user)						
Weight(kg)	900	900	900	1000	1000	1000	1170
Option	Adjustable conveyor belt height(790-960mm) for SMD-2P/4P						
Dough Weight Range(g)						Drum1	30-50
	120-1200	80-480	50-300	200-2400	50-480	50-300	Drum2 45-65
							Drum3

Drawings, descriptions and photos are not contractual and can be modified.

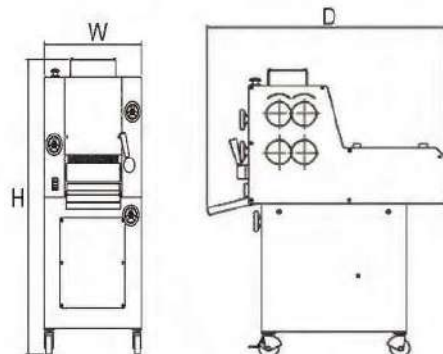
SINCE 1924

BNG
TRADING COMPANY

SINCE 1983

SINMAG

MOULDER - DOUGH MOULDER SERIES



Features

- Suited for variety of bakeries (small and medium sized).
- Durable construction.
- Beautiful appearance with four rollers, get rid of CO2 effectively.
- Space between the rollers can be shown in scale clearly.
- Bottom scraper can be taken down easily, more convenience for cleaning.
- With components for width adjustment, can adjust the width of dough.



Model	SM-307	SM-500	SM-230J	SM-230BS
Capacity(pcs/h)	2000	1800	1800	1800
Dough Weight Range(g)	50-600	30-500	30-350	70-1000
Working Width(mm)	380	500	300	380
Dimension(mm)	Width	680	850	580
	Depth	1680	1130	1040
	Height	1135	1270	1240
Roller Gap Adjustment(mm)	1-15	1-14	1-15	1-15
Weight(kg)	210	115	160	160
Power(kw)	0.75	0.75	0.4	0.4

Drawings, descriptions and photos are not contractual and can be modified.

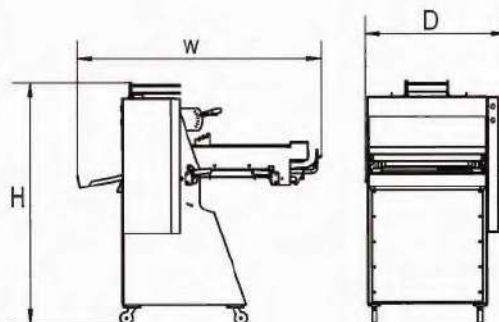
SINCE 1924



SINCE 1983

SINMAG

MOULDER - DOUGH MOULDER SERIES



Features

SM-860/SM860L:

- Gentle spring loaded rollers.
- 4" diameter rollers c/w nylon scrapers.
- Fully adjustable side guides.
- Hand feed or use under a bread plant.
- Infeed safety guard with automatic shut off.
- Totally enclosed chain and sprocket drive.
- Produce up to 3,600 pcs/hr.
- With optional curved pressure plates.

SM-670:

- Small compact design.
- A spring loaded dough roller system.
- Non-stick dough rollers with plastic scrapers.
- Pressure plate controls at front and back of machine.
- Heavy duty motor and drive system.
- Optional side guides and flat pressure plates up to 9" wide.
- Up to 3600 rolls per hour.



Model

SM-860

SM-860L

SM-670

Capacity(pcs/h)		3600	3600	3600
Dough Weight Range(g)		14-1800	14-1800	14-450
Working Width(mm)		450	600	225
Dimension (mm)	Width	1380	1380	1030
	Depth	640	790	425
	Height	1350	1350	640
Weight(kg)		230	280	88
Power(kw)		0.75	0.75	0.375

Drawings, descriptions and photos are not contractual and can be modified.

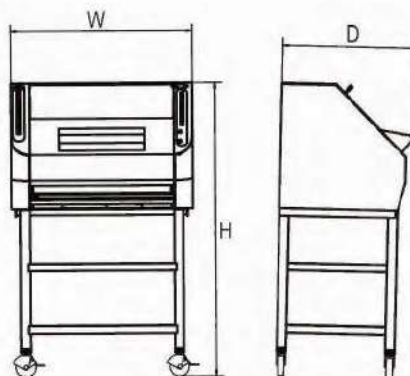
SINCE 1924

BNG
TRADING COMPANY

SINCE 1983

SINMAG

MOULDER - BAGUETTE MOULDER SERIES



Features

- Mechanical settings for rolling and moulding.
- Woollen conveyor belts.
- For dough ranges between 50 and 900g.
- Sliding-out reception table.
- Option: Solid socle on castors with locking system.
Safety hopper.



Model	SM2-380	SM-380S
Capacity(pcs/h)	2500	2500
Weight Range per Piece(g)	50-900	50-900
Power(kw)	0.375	0.375
Dimension(mm)	Width	1050
	Depth	690
	Height	1670
Working Width(mm)	780	780
Weight(kg)	285	250
Remark	Guide device is optional	Stainless steel side panels

Drawings, descriptions and photos are not contractual and can be modified.

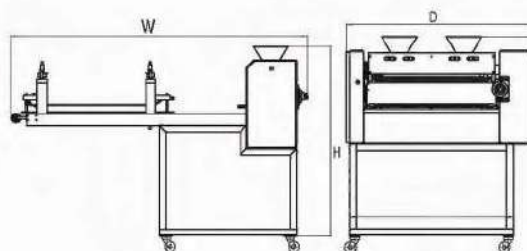
SINCE 1924



SINCE 1983

SINMAG

TOAST DOUGH MOULDER SERIES



Features

SDM-340B/SDM-340B2:

- Suited for variety of bakeries (medium and big sized).
- Durable construction.
- Beautiful appearance with four rollers, get rid of CO2 effectively.
- Space between the rollers can be shown in scale clearly.
- Bottom scraper can be taken down easily, more convenience for cleaning.
- Dough width with adjustable.

SM-380A:

- Stainless steel material elegant appearance.
- It has scale to adjust the roller gap, it is convenient for user to do the standard operation.
- The scraper of the roller can be detached easily, easy to clean.
- The bottom roller use nylon material, it can avoid the dough sticking.
- Special design of pressing plate with scale to adjust.
- This can remove air very well, achieve optimal moulding effect.



Model	SDM-340B	SDM-340B2	SM-380A
Capacity(pcs/h)	3000	4500	2000
Dough Weight Range(g)	30-300	30-300	30-600
Working Width(mm)	350	750	380
Dimension (mm)	Width	1950	1750
	Depth	770	1170
	Height	1350	1350
Top Roller Gap Adjustment(mm)	9-14	5-9	1-15
Bottom Roller Gap Adjustment(mm)	1-9	1-9	1-15
Motor Power(kw)	0.75	0.75	0.75
Pressure Plate Height(mm)	10-50	10-50	1-50
Weight(kg)	250	325	186

Drawings, descriptions and photos are not contractual and can be modified.

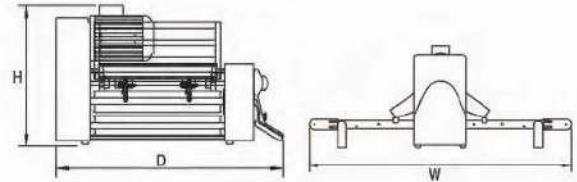
SINCE 1924

BNG
TRADING COMPANY

SINCE 1983

SINMAG

SHEETER - LIGHT DUTY SERIES



Features

- For Danish pastry, croissant and puff pastry etc.
- PVC conveyor belts.
- Manual operation.
SM-520F:with handle.
SM-520S/SM-520S-BSL:with push button.
- SM-520S/SM-520F with Ratchet wheel commutator system.
- The safety grid can protect us from injury.
- Remove scrapers without tools conveniently for cleaning.
- SM-520F:mounted on castors with locking system,easily movable.



Model		SM-520S	SM-500M	SM-520S-BSL	SM-520F
Type		Table Model	Table Model	Table Model	Floor Model
Working Width(mm)		500	500	500	500
Conveyor Table Length(mm)		670	/	/	980
Gap between Rollers(mm)		0.3-30	0.3-50	0.3-30	0.3-30
Machine tables are in working position(mm)	Width	1500	1040	1000	2500
	Depth	950	840	940	940
	Height	580	500	580	1180
Machine tables are folded up (mm)	Width	850	440	/	1200
	Depth	950	760	/	1030
	Height	670	580	/	1750
Power(kw)		0.55	/	0.55	0.55
Weight(kg)		100	60	100	168

Drawings, descriptions and photos are not contractual and can be modified.

SINCE 1924



SINCE 1983

SINMAG

SHEETER - HEAVY DUTY SERIES



Features

- Conveyor belts in PVC.
- Catch trays at both ends.
- Shifting speed by clutch commutator and chain wheel wears well.
- Driving by chain wheel avoids conveyer belt slip.
- Gear driving in oil bath enables heavy duty operation.
- Scrapers can be removed without tools conveniently for cleaning.
- The machine can be operated by both manual lever and footboard.
- Conveyor table could be lifted up for space-saving when not in operation.
- SM-620A: with touch screen.
- SM-630S:ETL&ETLS approval.



Model	SM-520	SM-630	SM-630S	SM-620A	SM2-650
Type	Floor Model	Floor Model	Floor Model	Floor Model	Floor Model
Working Width(mm)	500	600	600	650	650
Conveyor Tabel Length(mm)	980	1400	1400	1600	1400
Machine tables are in working position(mm)	Width	2510	3500	3880	3270
	Depth	1030	1130	1180	1150
	Height	1170	1170	1330	1260
Machine tables are folded up (mm)	Width	1300	2000	/	3250
	Depth	1030	1130	/	1143
	Height	1700	1980	/	2070
Gap between Rollers(mm)	0.3-30	0.3-30	0.3-30	0.3-42	0.3-50
Frame Cover	mild steel	mild steel	stainless steel	stainless steel	stainless steel
Power(kw)	0.75	0.75	0.75	1.85	1.1
Weight(kg)	220	268	250	430	310

Drawings, descriptions and photos are not contractual and can be modified.

SINCE 1924



SINCE 1983

SINMAG

SHEETER - EUROPEAN STYLE SERIES



Features

- SM-630E/520E, CE approval.
- SM-630C with cutter.
- PVC conveyor belts.
- Belt speed 60 cm/sec.
- Shifting speed by thread commutator and chain wheel wears well.
- Tables can be raised after operation.
- The safety grid can protect us from injury.
- Remove scrapers without tools conveniently for cleaning.
- Use manual lever or footboard switch conveniently for operation.
- Conveyor table could be lifted up for space-saving when not in operation.
- Mounted on castors with locking system, easily movable.



Model	SM-630E	SM-520E	SM-630C
Type	Floor Model	Floor Model	Floor Model
Working Width(mm)	585	500	585
Conveyor Table Length(mm)	1400	1000	1400
Gap between Rollers(mm)	0.3-50	0.3-50	0.3-50
Machine tables are in working position(W*D*H)	3540X1040X1270	2540X950X1270	3540X1040X1270
Machine tables are folded up (W*D*H)	2020X1040X1950	1250X950X1750	/
Power(kw)	0.75	0.75	0.75
Weight(kg)	272	234	300

Drawings, descriptions and photos are not contractual and can be modified.

SINCE 1924

BNG
TRADING COMPANY

SINCE 1983

SINMAG

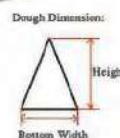
CROISSANT - MAKE UP LINES



Features

CTL-540

- The cutting shapes are consistent.
- Cutters could be replaced very easily.
- Equipped with holding bracket for the cutting tools, avoid damages to the cutters.
- Scrap AUTO-recycling system.
- PLC system and servo motor for higher precision.
- Memory enough for 20 recipes.



Model	CTL-540	CR-4000	CT-620
Description	Make up line	Croissant rolling-up machine	Cutting machine
Conveyor Belt Width(mm)	558	265	620
Dimension(mm)(W*D*H)	3550X1020X1140	1800X580X1100	2500X1400X1250
Power(kw)	0.9	0.75	0.2
Dough Dimension(Bottom Width)	/	/	/
Dough Dimension(Height)	/	/	/
Triquetrous knives	TA-3	/	Bottom width 113mm,Height 180mm
	TB-4	/	Bottom width 113mm,Height 135mm
	TC-5	/	Bottom width 113mm,Height 108mm
	RA-3 series	/	Width 180mm,depth 190mm,127mm or 95mm
Rectangular Knives	RB-4 series	/	Width 135mm,depth 190mm,127mm or 95mm
	RC-5 series	/	Width 108mm,depth 190mm,127mm or 95mm

Drawings, descriptions and photos are not contractual and can be modified.

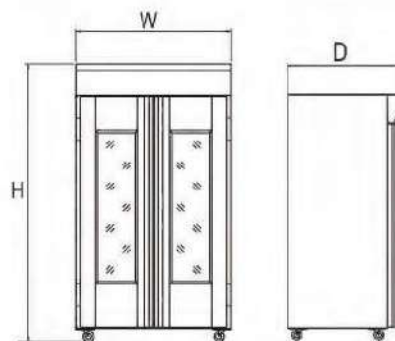
SINCE 1924

BNG
TRADING COMPANY

SINCE 1983

SINMAG




PROOFER - SIMPLE PROOFER SERIES



Features

- Single door or double door.
- Doors with tempered glass.
- Mechanical control panel, easy maintenance.
- Economic proofers, minimize the cost and labor.
- Mounted on castors with locking system, easily movable.
- Sinmag proofers are built with durable components and reliable, easy-to-use controls.
- Sinmag proofers make the process of proofing easy and consistent, keeping uniform temperatures.



Model	SM-32S	SM-32F	SM-48F
Capacity(number of trays)	32	32	48
Tray Size (mm)	400X600	400X600	400X600
Number of Shelves	16	16	16
Tray Layout			
Dimension(mm)W*D*H	725X945X1925	1100X860X2110	1380X740X2110
Weight(kg)	93	95	126
Door	single door	double door	double door
Total Power(kw)	2.3	3	4
Control Mode	mechanical control panel	mechanical control panel	mechanical control panel
Outside Panel	stainless steel plate without PU insulation		

Drawings, descriptions and photos are not contractual and can be modified.

SINCE 1924

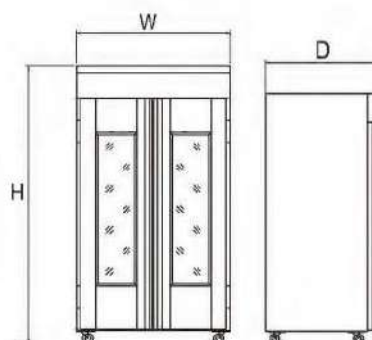


SINCE 1983

SINMAG

PROOFER- WITH FIXED SHELVES SERIES

Digital control panel



Features

- Single door or double door.
- Water sprayed proofers.
- Digital control panel.
- Doors with tempered glass.
- Castors.
- Sinmag proofers are built with durable components and reliable, easy-to-use controls.
- Sinmag proofers make the process of proofing easy and consistent, keeping uniform temperatures.



Model **SM-16FT** **SM-32FT** **SM-40SP** **SM-80FP**

Capacity(number of trays)	16	32	40	80
Tray Size (mm)	460X720/400X600	460X720/400X600	400X600	400X600
Number of Shelves	16	16	20	20
Tray Layout				
Dimension(mm)W*D*H	580X940X2115	1100X940X2115	725X1045X2115	1420X950X2115
Weight(kg)	100	135	133	190
Door	single door	double door	single door	double door
Total Power(kw)	1.5	2	2	4
Control Mode	digital control panel			
Outside Panel	stainless steel panel with 30mm PU insulation			

Drawings, descriptions and photos are not contractual and can be modified.

SINCE 1924

BNG
TRADING COMPANY

SINCE 1983

SINMAG

PROOFER - ROLL-IN PROOFER SERIES



Features

ST-2R/ST-4R/ST-6R/ST-8R Proofer:

- Available with single door, double door, four door.
- Working fast and efficiently, yielding even proofing with full loads or partial loads.
- Sinmag proofers are built with durable components and reliable, easy-to-use controls.
- Sinmag proofers make the process of proofing easy and consistent, keeping uniform temperatures throughout the racks and even constant airflow.
- Assemble using a cam-lock design, minimizing installation time.

ST100/ST200 Steam Generator:

- Stainless steel panels.
- Digital control panel.
- Electric heating.
- Air temperature range: ~38 C.
- Air humidity range: ~80%RH.



Model	ST-2R	ST-4R	ST-6R	ST-8R	ST100	ST200	
Capacity(number of racks)	2	4	6	8	4	8	
Tray Size (mm)	400X600	400X600	400X600	400X600	/	/	
Rack Size(mm)	675X810X1800	675X810X1800	675X810X1800	675X810X1800	675X810X1800	675X810X1800	
Dimension(mm)	Width	1215	2190	2190	2190	563	732
	Depth	2000	2000	2875	3560	230	230
	Height	2290	2290	2290	2290	1650	1650
Weight(kg)	260	350	450	550	46	55	
Door	single door	double door	double door	four doors(front and back)	/	/	
Total Power(hp)	4	4	8	8	4	8	
Proofer Control Mode	digital control panel						
Proofer Outside Panel	stainless steel plate with 50mm PU insulation						
Remark	any size of Roll-in Proofer can be customized according to requirements						

Drawings, descriptions and photos are not contractual and can be modified.

SINCE 1924

BNG
TRADING COMPANY

SINCE 1983

SINMAG

RETARDER/PROOFER- WITH FIXED SHELVES



Features

- Single door or double door.
- The cabinet is made of stainless steel.
- 3-steps in operation:-Retard;-Recovery;-Proof
- Durable construction.
- Doors with tempered glass.
- Easy maintenance.
- Working fast and efficiently, yielding even proofing with full loads or partial loads.
- Sinmag retarder proofers are built with durable components and reliable, easy-to-use controls.
- Castors.



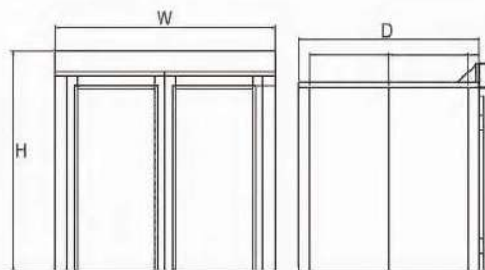
Model	DC-18S	DC-18F	DC-36F	DC-36SA	DC-232S	DC-236S	DC-236SZ
Capacity(number of trays)	18	18	36	36	32	36	36
Tray Size (mm)	400X600	460X720	460X720	400X600	400X600	400X600	400X600
Number of Shelves	18	18	18	18	16	18	18
Tray Layout							
Dimension(mm)	Width	555	760	1270	755	775	755
	Depth	1015	1070	1070	1280	1215	1210
	Height	2215	2135	2135	2215	1950	2215
Door	single door	single door	double door	single door	double door	double door	double door
Compressor Power(hp)	0.5	1.125	1.125	1.125	0.625X2	0.5X2	0.625X2
Heater Power(kw)	2	2	2.3	2.3	1.5X2 heaters	1.5X2 heaters	1.5X2 heaters
Control Mode	digital control panel				2 independent digital control panel		
Temperature Range(°C)	2~40	2~40	2~40	2~40	-10~40	2~40	-10~40
Weight(kg)	160	180	240	200	230	255	255
Outside stainless steel panel with PU insulation	50mm	60mm	60mm	50mm	60mm	50mm	50mm

Drawings, descriptions and photos are not contractual and can be modified.

PROOFER - ROLL-IN RETARDER PROOFER



Digital control panel



Features

- Durable construction.
- Available with single door or double door, four door.
- Digital control panel, can be customized.
- 3-steps in operation: -Retard; -Recovery; -Proof.
- Working fast and efficiently, yielding even proofing with full loads or partial loads.
- Built with durable components, reliable easy-to-use controls, and built refrigeration systems.
- Retarder proofer makes the process of proofing easy and consistent, keeping uniform temperatures throughout the racks and even constant airflow, while adding the versatility of retarding in the same space.



Model	DC-2R	DC-4R	DC-6R	DC-8R
Capacity(number of racks)	2	4	6	8
Tray Size (mm)	400X600	400X600	400X600	400X600
Rack Size(mm)	675X810X1800	675X810X1800	675X810X1800	675X810X1800
Dimension(mm)	Width	1215	2190	2190
	Depth	2000	2000	2875
	Height	2460	2520	2520
Weight(kg)	250	400	510	600
Door	single door	double door	double door	four doors(front and back)
Compressor Power(hp)	1.75	2	1.75X2	2X2
Heater Power(kw)	4	6	8	12
Control Mode	digital control panel	digital control panel	digital control panel	digital control panel
Temperature Range(°C)	2~40	2~40	2~40	2~40
Outside Panel	stainless steel with 50mm PU insulation			
Remark	any size of Roll-in Retarder Proofer can be customized according to requirements.			

Drawings, descriptions and photos are not contractual and can be modified.

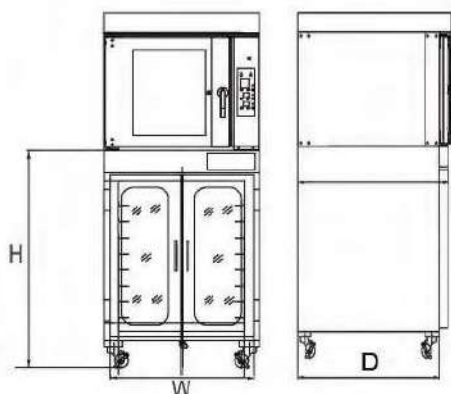
SINCE 1924



SINCE 1983

SINMAG

PROOFER- BASE PROOFER SERIES



Features

- Ovens available separately.
- Castors.
- Base proofer uses electrical heater and control circuit to generate constant temperature and humidity atmosphere for fermentation. Double glazed with tempered glass, give proofer superb heat preserving and energy-saving performance. Also digital control panel makes operation more flexible, makes control more accurate.
- Sinmag baking oven with base proofer series have been designed for years of trouble-free operation in today's modern bakery and has been proved that it can provide users with the best performance as well as the safety.



Model **SM-716** **SM-716F** **SK-12P** **SM-10FG** **SM-15F**

Capacity(number of trays)	16	16	12	10	15	
Tray Size (mm)	400X600	400X600	400X600	400X600	400X600	
Number of Shelves	8	8	6	5	5	
Tray Layout						
Dimension(mm)	Width	810	780	1520	1365	1490
	Depth	1000	1000	1270	1160	1150
	Height	957	1085	1060	985	890
Weight(kg)	70	70	220	140	150	
Total Power(kw)	0.9	0.9	1.7	0.7	1.7	
Control Mode	mechanical control panel	digital control panel	digital control panel	mechanical control panel	mechanical control panel	

Drawings, descriptions and photos are not contractual and can be modified.

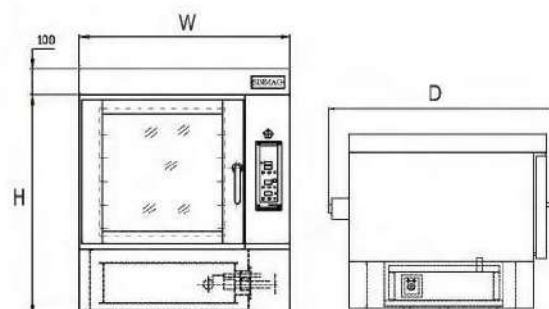
SINCE 1924

BNG
TRADING COMPANY

SINCE 1983

SINMAG

CONVECTION OVEN - GAS SERIES



Features

- Easy to use digital controls for temperature, steam and timer.
- Steam system included.
- Under oven proofer available.
- Light and timer standard on each deck.
- Door is designed to remain cool to the touch.
- SM-710G, castors.



Model	SM-705G	SM-710G
Capacity(number of trays)	5	10
Tray Size (mm)	400X600	400X600
Shelf Clearance(mm)	90	90
Dimension(mm)	Width	810
	Depth	1253
	Height	840
Weight(kg)	210	270
Electric Power(kw)	0.5	1
Thermal Output(kcal/h)	8730	17500
Chamber Panel	stainless steel	stainless steel
Outside Panel(front side)	stainless steel	stainless steel
Outside Panel(other sides)	aluminum&zinc-coated steel	aluminum&zinc-coated steel

Drawings, descriptions and photos are not contractual and can be modified.

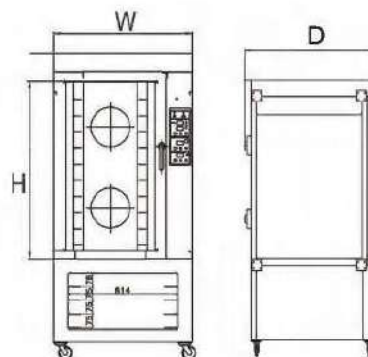
SINCE 1924

BNG
TRADING COMPANY

SINCE 1983

SINMAG

CONVECTION OVEN- ELECTRICAL SERIES



Features

- Easy to use digital controls for temperature, steam and timer.
- Double heat-protecting window.
- Support extraction hood and proofer available separately.
- Door is designed to remain cool to the touch.
- Glass door for easy cleaning.
- Protective design in door lock can avoid injury caused by hot steam puffing from chamber.
- SM-705EB/710EB ETL&ETLS approval.
- Optional: digital control panel, stainless steel door.



Model	SM2-704E	SM-705EE	SM-705EB	SM-710EE	SM-710EB	SM-805E	SM-810E
Number of trays	4	5	5	10	10	5	10
Tray Size (mm)	400X600	400X600	460X660/460X760	400X600	460X660/460X760	400X800	400X800
Shelf Clearance(mm)	90	90	90	90	90	90	90
Dimension(mm)	Width	780	780	870	780	870	780
	Depth	1165	1235	1400	1235	1400	1453
	Height	540	690	690	1700	1700	690
Weight(kg)	114	149	150	270	300	160	300
Total Power(kw)	6.5	9.5	12.5	19	25	12.5	25
Chamber Panel	stainless steel						
Outside Panel(front side)	stainless steel						
Outside Panel(other sides)	aluminum&zinc-coated steel panel						

Drawings, descriptions and photos are not contractual and can be modified.

SINCE 1924



SINCE 1983

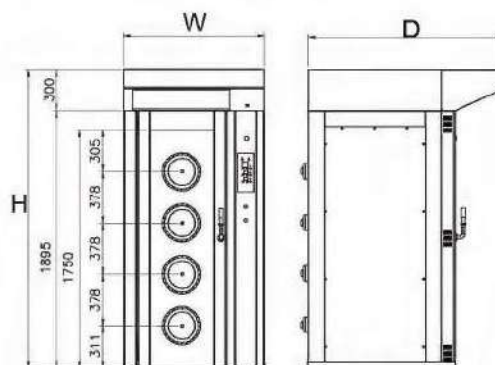
SINMAG

CONVECTION OVEN - FIXED BACK



Features

- With extraction hood.
- In stainless steel.
- Easy to use digital controls for temperature, steam and timer.
- Steam injection and effectuation time adjustable.
- Double heat-protecting window.
- Damper key.
- Digital control panel, up to 20 programs available.



Model

RV1

Capacity(number of racks)	1 single rack	
Number of Trays	16	
Tray Size(mm)	400X600	
Dimension(mm)	Width	1035
	Depth	1450
	Height	2195
Weight(kg)	550	
Heater Power(kw)	33	
Energy	electricity	
Chamber Panel	stainless steel	
Outside Panel(front side)	stainless steel	
Outside Panel(other sides)	aluminum&zinc-coated steel panel	
Max Temperature (°c)	300	

Drawings, descriptions and photos are not contractual and can be modified.

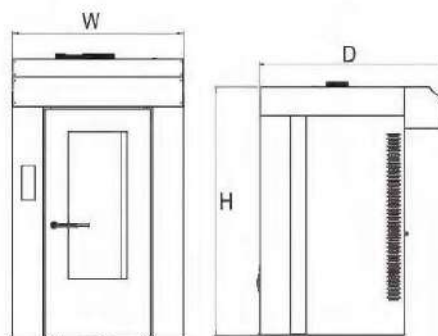
SINCE 1924



SINCE 1983

SINMAG

RACK OVEN- HOOK LIFTING SYSTEM



Features

- With extraction hood.
- Hook system for rack.
- All stainless steel.
- Easy to use digital controls for temperature, steam and timer.
- Steam injection and effectuation time adjustable.
- Available in 40X60.
- Programmable.
- Easy maintenance baking chamber.



Model

RV2

Capacity(number of racks)	1 double rack	
Number of Trays	36	
Tray Size(mm)	400X600	
Dimension(mm)	Width	1440
	Depth	2210
	Height	2460
Weight(kg)	1300	
Heater Power(kw)	37	
Motor Power(kw)	1.6	
Energy	electricity	
Max Temperature (°c)	300	

Drawings, descriptions and photos are not contractual and can be modified.

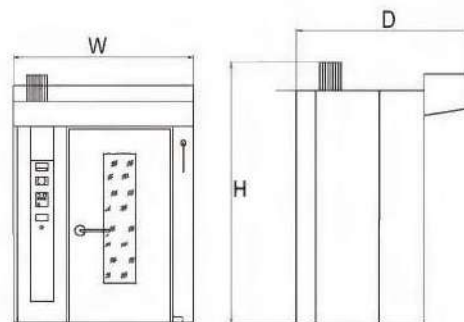
SINCE 1924



SINCE 1983

SINMAG

RACK OVEN - F SERIES (TURNTABLE)



Features

- With extraction hood.
- Single rack or double rack.
- All stainless steel.
- Turntable system for rack.
- Steam injection and effectuation time adjustable.
- Electrical or fuel execution.
- Easy maintenance baking chamber.
- Easy to use digital controls for temperature, steam and timer.
- Easy maintenance baking chamber.
- Accept customized control board.



Model	F1	F2	F3	F4	
Number of Rack	1 single rack	1 double rack	1 double rack	2 double rack	
Tray Size (mm)	400X600 / 460X660 460X720 / 460X760	400X600	400X600 / 460X660 460X720 / 460X760	400X600	
Max. Trays	18	36	36	72	
Dimension (mm)	Width	1890	2180	3120	
	Depth	1950	1850	2350	2600
	Height	2410	2500	2600	2920
Energy	electricity/gas/oil	electricity/gas/oil	electricity/gas/oil	gas/oil	
Motor Power(kw)	1.1	1.6	2.7	6	
Max Temperature (°c)	300	300	300	300	
Electric Heater Power (kw)	37	47	60	/	
Burner Heater Power(kcal/h)	43850	49870	86000	103200	
Weight(kg)	1100	1570	1900	3900	
Optional	steam device/exhaust fan/diesel tank				

Drawings, descriptions and photos are not contractual and can be modified.

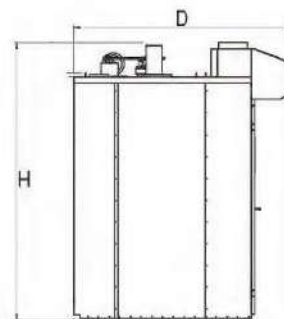
SINCE 1924



SINCE 1983

SINMAG

RACK OVEN- SV TURNTABLE OR HOOK LIFTING SYSTEM



Features

- With extraction hood.
- All stainless steel.
- Single rack or double rack.
- Turntable or hook system for rack.
- Steam injection and effectuation time adjustable.
- Electrical or fuel execution.
- Easy maintenance baking chamber.
- Programmable.
- Easy to use digital controls for temperature, steam and timer.
- Accept customized control board.



Model	SV1	SV2	SV3
Number of Racks	1 single rack	1 double rack	1 double rack
Tray Size (mm)	400X600 / 460X660 460X720 / 460X760	400X600	400X600 / 460X660 460X720 / 460X760
Number of Trays(bread/toast)	10/15	20/30	20/30
Dimension(mm)	Width	1435	2050
	Depth	1690	2100
	Height	2550	2550
Weight(kg)	1020(electricity) 1130(gas/oil)	1340(electricity) 1440(gas/oil)	1700(electricity) 1880(gas/oil)
Motor Power(kw)	1.1	1.6	2.7
Max Temperature (°c)	300	300	300
Electric Heater Power (kw)	37	47	59
Burner Heater Power(kcal/h)	43850	49870	86000
Energy	electricity/gas/oil	electricity/gas/oil	electricity/gas/oil

Drawings, descriptions and photos are not contractual and can be modified.

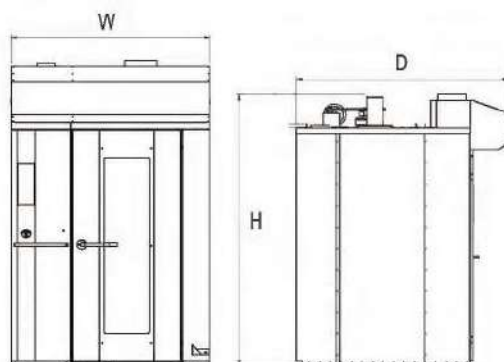
SINCE 1924

BNG
TRADING COMPANY

SINCE 1983

SINMAG

RACK OVEN - ROLL-IN AMERICAN RACK OVEN



Features

- All stainless steel construction.
- Available with single or double rack models.
- Provides high quality and high volume baking and roasting.
- Heavy-duty lift and rotate system.
- Gear drive rotation system, no belts or chains.
- Standard computer control, 5-step programming, up to 60 programs, for time, temperature, steam, vent and blower functions.
- High volume steam generator.
- Accommodates single or double rack with "B" type lifts.
- Patented vertiflow heat exchanger design-Does not use blowers or air switches.
- Racks not included.



LRO-1E/1G



LRO-2E/2G

Model		LRO-1E/1G	LRO-2E/2G
Capacity(number of racks)		1 single rack	1 double rack
Number of Trays		18	36
Tray Size(mm)		460X660	460X660
Dimension(mm)	Width	1400	1830
	Depth	1300	1550
	Height	2700	2700
Weight(kg)		1320	1350
Electric Heater Power(kw)		51.96	64.95
Burner Heater Power(kcal/h)		43750	72500
Energy		electricity/gas	electricity/gas
Max Temperature (°c)		300	300
Motor Power(kw)		1.2	1.2

Drawings, descriptions and photos are not contractual and can be modified.

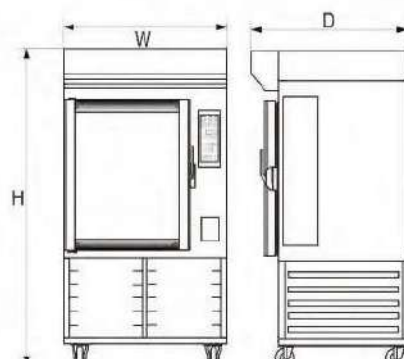
SINCE 1924

BNG
TRADING COMPANY

SINCE 1983

SINMAG

RACK OVEN- ROLL-IN AMERICAN RACK OVEN



Features

- Stainless steel construction.
- Heavy-duty rotate system.
- Includes rack, specify 6, 8, or 10 pan at time of order.
- High volume steam generator.
- Optional: underneath proofer/rack for LMO-E6/G6&E8/G8.
- Small size, big performance the LMO mini rotating ovens provides both.
- LMO-E6/G6/E8/G8, standard digital 6 recipe preset controller, optional programmable 60-menu computer, with up to 5-events per program.
- LMO-MAX, 40 preset recipe capacity with 6 quick-selection buttons for pre-saved recipes.



Model	LMO-Max-E	LMO-Max-G	LMO-E6/G6	LMO-E8/G8
Number of Racks	1 rack	1 rack	1 rack	1 rack
Tray Size (mm)	460X660	460X660	460X660	460X660
Energy	electricity	gas	electricity/gas	electricity/gas
Dimension(mm)	Width	1112	1112	1112
	Depth	1031	1031	1061
	Height	2163	2163	2163
Weight(kg)	620	620	410	410
Motor Power(kw)	0.37	0.37	0.37	0.37
Electric Heater Power (kw)	26.4	/	12.5	12.5
Burner Heater Power(kcal/h)	/	32000	22700	22700
Max Temperature (°c)	275	275	275	275
Gap between each shelf(mm)	6Shelves	201	139	139
	8Shelves	151	100	100
	10Shelves	120	83	83
	12Shelves	100	/	/
	16Shelves	75	75	/

Drawings, descriptions and photos are not contractual and can be modified.

SINCE 1924



SINCE 1983



ELECTRIC DECK OVEN - ASIAN SK SERIES



SK2-P623/SK2-623



SK-P634/SK-P634T/SK-P644T



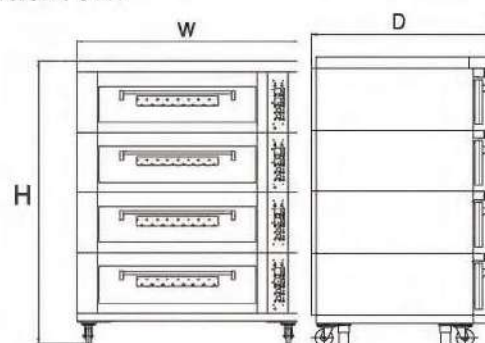
Standard panel



optional panel

Features

- The ovens are composed of detachable decks, easy to install site.
- Doors with windows open down to access baking chamber.
- Individual steam system on each deck operate independently.
- Light and timer standard on each deck.
- Easy maintenance baking chamber.
- Casters.
- Stainless steel frame, bottom-placed proofer and top-placed convection oven are options.
- Optional accessories: steam device; exhausting hood; stone plate.
- Easy to use digital controls for temperature, steam time, and top and bottom heat controls for each individual deck.



Model	SK2-P623/SK2-623	SK2-P634/SK-634	SK-P634T/SK-634T	SK-P644/SK-644	SK-P644F/SK-644F	
Number of Decks	3	4	4	4	4	
Number of Trays(per deck)	2	3	3	4	4	
Tray Size(mm)	400X600	400X600	400X600	460X760	400X600	
Tray Layout						
External Dimension(mm)	Width	1320	1720	1520	1370	1720
	Depth	1090	1090	1270	1640	1270
	Height	1665	1885	1925	1925	1885
Baking Chamber Dimension(mm)	Width	900	1300	1050	900	1300
	Depth	720	720	900	1320	900
	Height	210/230 option	210/230 option	230	230	210/230 option
Weight(kg)	600	860	980	1100	1112	
Power per Deck(kw)	5.5	7.5	7	9	9	
Max Temperature (°c)	300	300	300	300	300	
Outside Panel(front side)	stainless steel plate					
Outside Panel(other sides)	Aluminum coated steel	mild steel with painting		Aluminum coated steel		
Door-open style	downward&outward					
Power Adjustable	No/Yes	No/Yes	No/Yes	No/Yes	No/Yes	

Drawings, descriptions and photos are not contractual and can be modified.

SINCE 1924

BNG
TRADING COMPANY

SINCE 1983

SINMAG

ELECTRIC DECK OVEN - ASIAN SK6 SERIES



Features

- Standard model No. for stainless steel door, 'G' model No. for glass door.
- The ovens are composed of detachable decks, easy to install site.
- Doors with windows open down to access baking chamber.
- Individual steam system on each deck operate independently.
- Light and timer standard on each deck.
- Easy maintenance baking chamber.
- Casters for easy cleaning and service.
- Stainless steel frame, bottom-placed proofer and top-placed convection oven are options.
- Optional accessories: steam device; exhausting hood; stone plate.
- Easy to use digital controls for temperature, steam time, and top and bottom heat controls for each individual deck.

Model	SK2-P923/SK2-923	SK-P934/SK-934	SK-P934T/SK-934T	SK-P944/SK-944	SK-P944F/SK-944F	
Number of Decks	3	4	4	4	4	
Number of Trays(per deck)	2	3	3	4	4	
Tray Size(mm)	400X600	400X600	400X600	460X760	400X600	
Tray Layout						
External Dimension(mm)	Width	1320	1790	1520	1370	1790
	Depth	1090	1030	1270	1640	1270
	Height	1650	1925	1925	1925	1925
Baking Chamber Dimension(mm)	Width	900	1320	1050	900	1320
	Depth	720	680	900	1320	900
	Height	210/230 option	230	230	230	230
Weight(kg)	600	860	980	1100	1112	
Power per Deck(kw)	5.5	7.5	7	9	9	
Max Temperature (°c)	300	300	300	300	300	
Outside Panel (front side)	stainless steel					
Outside Panel (other sides)	stainless steel					
Door-open style	downward&outward					
Power Adjustable	No/Yes	No/Yes	No/Yes	No/Yes	No/Yes	

Drawings, descriptions and photos are not contractual and can be modified.

SINCE 1924

BNG
TRADING COMPANY

SINCE 1983

SINMAG

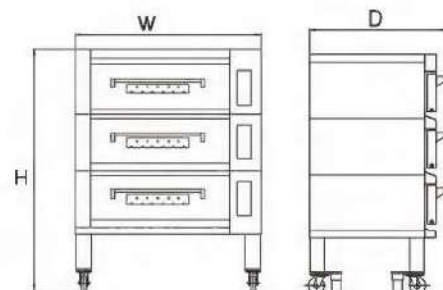
ELECTRIC DECK OVEN - CLASSICAL SERIES



Standard panel



SM2-523



Features

- The ovens are composed of detachable decks, easy to install site.
- Doors with windows open down to access baking chamber.
- Individual steam systems on each deck operate independently.
- Light and timer standard on each deck.
- Easy maintenance baking chamber.
- Stainless steel frame, bottom-placed proofer and top-placed convection oven are options.
- Optional accessories: steam device; exhausting hood; stone plate.
- Easy to use digital controls for temperature, steam time, and top and bottom heat controls for each individual deck.
- SM2-523 with damper key.
- Casters.



SM2-901C



SM-603A



SM2-523

Model		SM2-901C	SM-603A	SM2-523
Number of Decks		5	3	3
Number of Trays(per deck)		1	5	2
Tray Size(mm)		400X600	400X600	460X760
Tray Layout				
External Dimension(mm)	Width	780	2190	1320
	Depth	1015	1220	1090
	Height	300	1860	1710
Baking Chamber Dimension(mm)	Width	420	900	1720
	Depth	620	845	720
	Height	150	250	210/230 option
Weight(kg)		80	1260	600
Power per Deck(kw)		2.8	11	5.5
Max Temperature (°c)		300	300	300
Outside Panel (front side)			stainless steel	
Outside Panel(other sides)			aluminum coated steel	
Door-open style			downward&outward	

Drawings, descriptions and photos are not contractual and can be modified.

SINCE 1924



SINCE 1983

SINMAG

ELECTRIC DECK OVEN - MB SERIES



Features

- Economic ovens.
- Glass door, open up and outward.
- The ovens are composed of detachable decks, easy to install site.
- Individual steam systems on each deck operate independently.
- Light and timer standard on each deck.
- Easy maintenance baking chamber.
- Stainless steel frame, bottom-placed proofer and top-placed convection oven are options.
- Optional accessories: steam device; exhausting hood; stone plate.
- Modular design—decks can be added easily later as your operation expands.
- Easy to use digital controls for temperature, steam time, and top and bottom heat controls for each individual deck.
- Damper key.
- Casters.

Model	MB2-623	MB-634T	MB-644F	MB-923	MB-934T	MB-944F	MB-934A
Number of Decks	3	4	4	3	4	4	4
Number of Trays(per deck)	2	3	2	4	2	3	2
Tray Size(mm)	400X600	400X600	460X760	400X600	400X600	400X600	460X760
Tray Layout							
External Dimension(mm)	Width	1320	1530	1810	1365	1530	2020
	Depth	1090	1336	1336	1160	1336	1290
	Height	1710	1965	1965	1965	1965	1965
Baking Chamber Dimension(mm)	Width	900	1050	1320	850	1050	1470
	Depth	720	900	900	680	900	840
	Height	210/230option	210	210	210	210	210
Weight(kg)	560	980	1180	690	980	1180	1690
Power per Deck(kw)	5.5	7	9	5.5	7	9	9
Max Temperature (°c)	300	300	300	300	300	300	300
Outside Panel	aluminum coated steel	mild steel with painting		stainless steel plate			
Door-open Style	upward&outward						

Drawings, descriptions and photos are not contractual and can be modified.

SINCE 1924

BNG
TRADING COMPANY

SINCE 1983

SINMAG

ELECTRIC DECK OVEN - SE SERIES



Features

- Up to 4 decks can be stacked together, or you can build your own combi by putting together Sinmag deck oven, convection oven, bottom cabinet or proofer.
- Oven is supplied with ceramic hearth that can be easily taken out of the chamber for thorough cleaning.
- Full-view tempered glass doors that open up and in, combined with bright interior lighting, enable viewing of the whole baking process.
- Oven is mounted on rigid casters with leveling feel.
- Each deck is equipped with a robust, individually-controller steam system and a manual damper.
- Each deck is equipped with independently-controlled top and bottom tubular heaters for rapid heating.
- Separate control for each deck, on which the temp., heat power, bake time and steam time can be set for each recipe.
- Up to 99 programmable recipes can be stored and accessed.
- Auto start function allows the unit to heat up automatically to a set temperature at a set time.
- Optional accessories: manual loader; exhaust hood; infrared heaters.

Model		SE-941F/2F/3F/4F				SE-981F/2F/3F/4F			
Number of Trays per Deck		2(tray size:600mmX800mm)				4(tray size:600mmX800mm)			
Number of Decks		1	2	3	4	1	2	3	4
Dimension (mm)	Width	1750	1750	1750	1750	1750	1750	1750	1750
	Depth	1330	1330	1330	1330	2180	2180	2180	2180
	Height	1020	1380	1610	1900	1020	1380	1610	1900
Baking Chamber Dimension(mm)	Width	1300	1300	1300	1300	1300	1300	1300	1300
	Depth	900	900	900	900	1700	1700	1700	1700
	Height	220	220	220	220	220	220	220	220
Bake Power(kw)		7	14	21	28	13	26	39	52
Steam Power(kw)		2	4	6	8	3	6	9	12
Max Temperature (°c)		300	300	300	300	300	300	300	300
Door-open Style		upward&outward				upward&outward			

Drawings, descriptions and photos are not contractual and can be modified.

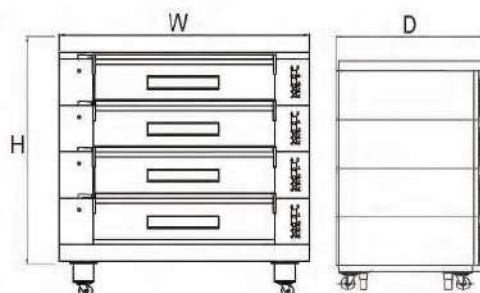
SINCE 1924

BNG
TRADING COMPANY

SINCE 1983

SINMAG

ELECTRIC DECK OVEN - AMERICAN STYLE



Features

- Stainless steel door or glass door.
- The chamber of the oven is constructed of corrosion-resistant aluminized steel.
- The ovens are composed of detachable decks, easy to installation site.
- Vienna-style doors with windows open up and in to baking chamber, eliminating the hot surface to load across.
- Individual steam systems on each deck operate independently.
- Light and timer standard on each deck.
- Easy maintenance baking chamber.
- Optional accessories: steam device; exhausting hood; stone plate.
- Modular design- decks can be add easily later as your operation expands.
- Easy to use digital controls for temperature, steam time, and top and bottom heat controls for each individual deck.
- Standard with stone plate and steam device.
- Optional accessories: exhausting hood.
- Casters.



SM-284



SM-384

Model	SM-284	SM-384
Number of Decks	4	4
Number of Trays(per deck)	2	3
Tray Size(mm)	460X660	460X660
Tray Layout		
External Dimension(mm)(W*D*H)	1520X1066X1905	1985X1066X1905
Baking Chamber Dimension(mm per deck)(W*D*H)	950X760X200	1415X760X200
Weight(kg)	1050	1450
Power per Deck(kw)	7.2	9.8
Max Temperature (°c)	300	300
Outside Panel	stainless steel	
Door-open Style	upward&inward	

Drawings, descriptions and photos are not contractual and can be modified.

SINCE 1924



SINCE 1983

SINMAG

GAS DECK OVEN - MB8 SERIES



Features

- Glass door.
- The chamber of the oven is constructed of corrosion-resistant aluminized steel.
- The ovens are composed of detachable decks.easy to installation site.
- Individual steam systems on each deck operate independently.
- Light and timer standard on each deck.
- Doors with windows open down to access baking chamber.
- Stainless steel frame, bottom-placed proofer and top-placed convection oven are options.
- Optional accessories:steam device;exhausting hood;stone plate.
- Modular design-decks can be add easily later as your operation expands.
- Easy to use digital controls for temperature,steam time,and top and bottom heat controls for each individual deck.
- Casters.

Model MB-823

Number of Decks	3
Number of trays(per deck)	2
Tray Size(mm)	400X600

Tray Layout



External Dimension(mm)	Width	1365
	Depth	1150
	Height	1845
Baking Chamber Dimension(mm)	Width	900
	Depth	680
	Height	210
Weight(kg)		650
Power per Deck(kw)		0.1
Thermal Output per Deck(kcal/h)		5800
Max Temperature (°c)		300
Outside Panel(front side)		stainless steel
Outside Panel(other sides)		mild steel with painting
Door-open style		upward&outward

Drawings, descriptions and photos are not contractual and can be modified.

SINCE 1924

BNG
TRADING COMPANY

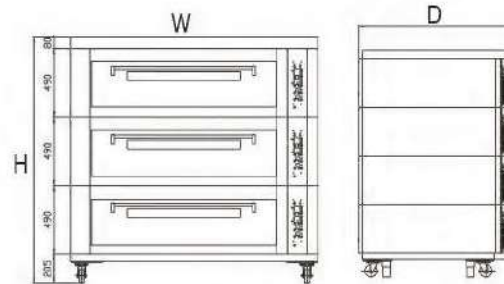
SINCE 1983

SINMAG

GAS DECK OVEN - SM8 SERIES



Standard panel



Features

- Stainless steel door or glass door.
- The chamber of the oven is constructed of corrosion-resistant aluminized steel.
- The ovens are composed of detachable decks, easy to installation site.
- Individual steam systems on each deck operate independently.
- Light and timer standard on each deck.
- Doors with windows open down to access baking chamber.
- Stainless steel frame, bottom-placed proofer and top-placed convection oven are options.
- Optional accessories: steam device; exhausting hood; stone plate.
- Modular design-decks can be add easily later as your operation expands.
- Easy to use digital controls for temperature, steam time, and top and bottom heat controls for each individual deck.
- Easy maintenance baking chamber.
- Casters.



Model	SM-803T	SM-803F	SM-803S	SM-803A
Number of Decks	3	3	3	3
Number of Trays(per deck)	3	2	4	5
Tray Size(mm)	400X600	460X760	400X600	400X600
Tray Layout				
External Dimension(mm)	Width	1490	1770	2190
	Depth	1150	1175	1040
	Height	1755	1755	1755
Baking Chamber Dimension(mm)	Width	1020	1300	1300
	Depth	805	840	650
	Height	240	240	240
Weight(kg)	720	800	750	1340
Electric Power per Deck(kw)	0.14	0.2	0.2	0.26
Thermal Output per Deck(kcal/h)	8600	9795	8600	12660
Max Temperature (°c)	300	300	300	300
Outside Panel(front side)	stainless steel			
Outside Panel(other sides)	mild steel with painting			

Drawings, descriptions and photos are not contractual and can be modified.

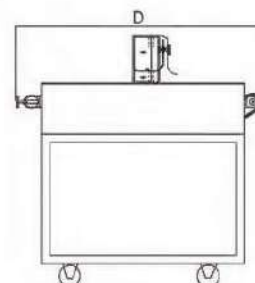
SINCE 1924

BNG
TRADING COMPANY

SINCE 1983

SINMAG

SLICER - HORIZONTAL SLICER



Features

- Horizontal slicer mainly used for biscuit, cake, bagels, little breads and hamburger cutting.
- Distance between the cutting blades, easy to adapt per steps of 5 mm.
- This top conveyor facilitates the transport of the products to the cutting knives.
- The machine can cut the products in different layers at the same time.
- Machine on castors with locking system.
- Standard equipped with 2 knives blades.
- HS-3S:
With upper conveyor for the infeed.
Equipped with an adjustable speed and height top conveyor.



HS-3



HS-3S



HS2-3S

Model	HS-3	HS-3S	HS2-3S
Capacity	3500 hamburges/h	5000 hamburges/h	5000 hamburges/h
Power(kw)	0.42	0.45	0.55
Standard Attachment	2 blades	2 blades	2 blades
Weight(kg)	120	140	150
Dimension(mm)	Width	790	880
	Depth	1150	1840
	Height	1165	1250
Remark	Adjustable for different standards of thickness		

Drawings, descriptions and photos are not contractual and can be modified.

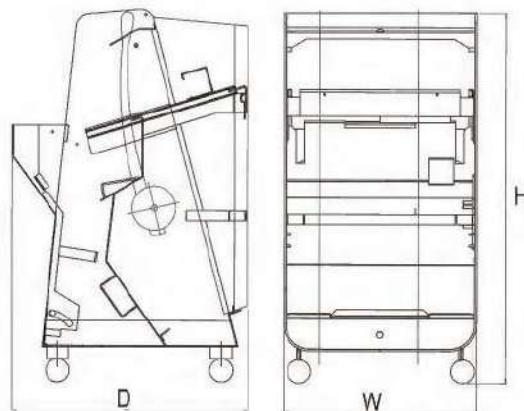
SINCE 1924

BNG
TRADING COMPANY

SINCE 1983

SINMAG

BREAD SLICER



Features

- Innovative and elegant design.
- User-friendly, ideal for supermarkets.
- Stainless steel in all food contact areas.
- Perfect blade tension (13mm) for uniform slicers.
- Takes little space.
- Crumb basket in ABS, easy to empty.
- Casters.
- SM-52A: Table manual model, Optional with stand.
- SM-52B: Manual.
- SM-52C: Automatic with the safety cover.
- SM-52D: Automatic with optical switch.
- SM-52E: Automatic with the safety cover and blowing system.
- SM-52F: Self-service.
- SM-52G: Self-service with front cover.



Model	SM-52A	SM-52B	SM-52C	SM-52D	SM-52E	SM-52F	SM-52G
Motor Power(kw)	0.55	0.55	0.55	0.55	0.55	0.55	0.55
Weight(kg)	160	180	200	200	220	220	270
Max Dimension of Bread (mm) (Length)	440	440	440	440	440	440	440
Max Dimension of Bread (mm) (Height)	160	160	160	160	160	160	160
Dimension(mm)(W*D*H)	646X650X805	650X730X1210	598X730X1180	598X730X1180	1060X730X1180	598X730X1180	598X730X1180
Slicing Thickness	standard 12mm, other thickness (9mm-16mm) can be customized						

Drawings, descriptions and photos are not contractual and can be modified.

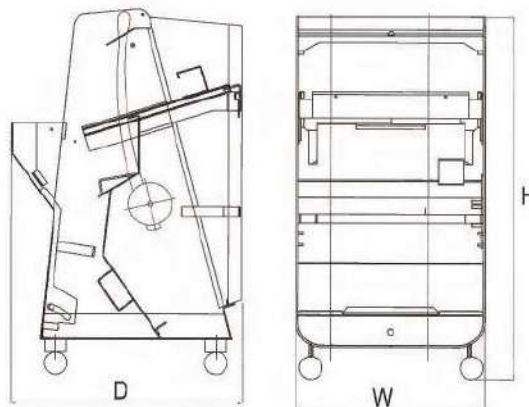
SINCE 1924

BNG
TRADING COMPANY

SINCE 1983

SINMAG

BREAD SLICER - DUAL SLICING & THICKNESS



Features

- Innovative and elegant design.
- User-friendly, ideal for supermarkets.
- Stainless steel in all food contact areas.
- Perfect blade tension(13mm) for uniform slicers.
- Takes little space.
- Crumb basket in ABS, easy to empty.
- Casters.
- SM52W-B: Manual.
- SM-52W-C: Automatic with the safety cover.
- SM-52W-D: Automatic with optical switch.



SM52W-B



SM52W-C



SM52W-D

Model	SM52W-B	SM52W-C	SM52W-D
Motor Power(kw)	0.55	0.55	0.55
Max Dimension of Bread (mm) (Length)	600	600	600
Max Dimension of Bread (mm) (Height)	160	160	160
Dimension(mm)(W*D*H)	825X730X1210	773X730X1180	773X730X1180
Slicing Thickness	standard 12mm, other thickness(9mm-48mm) can be customized		

Drawings, descriptions and photos are not contractual and can be modified.

SINCE 1924

BNG
TRADING COMPANY

SINCE 1983

SINMAG

BREAD SLICER - TABLE TOP SLICER



Features

PC-16C/PC-16:

- Compact.
- Stainless steel in all food contact areas.
- PC-16C with rear safety cover, PC-16 without rear safety cover.
- Lever operated slicer with spring tensioned handle that pulls the bread through the knives.
- Spring tensioned blades.
- Crumb tray in ABS, easy to clean.
- Optional with stand.

SM-302/SM-322:

- Stainless steel in all food contact areas.
- Mostly used for toast slicing.
- Silver, white for choice.



Model

PC-16C

PC-16

SM-302

SM-322

Motor Power(kw)	0.55	0.55	0.18	0.18
Weight(kg)	150	150	70	80
Max Dimension of Bread (mm) (Length)	420	420	360	400
Max Dimension of Bread (mm) (Height)	135	130	130	130
Outside Dimension(mm) (W*D*H)	684X588X760	684X588X760	556X720X720	600X720X720
Slicing Thickness	standard 12mm, other thickness(9mm-48mm) can be customized			

Drawings, descriptions and photos are not contractual and can be modified.

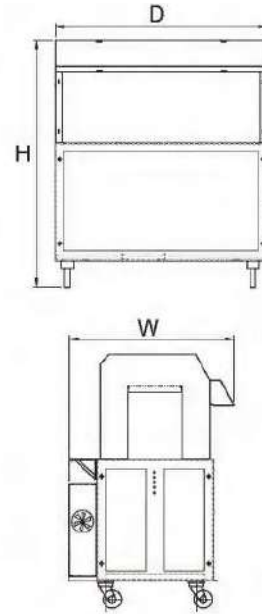
SINCE 1924

BNG
TRADING COMPANY

SINCE 1983

SINMAG

SLICER - CAKE SLICER



Features

- Both CT-808/808T work on flat sponge cake and round birthday cake. Sponge cake size less than 400mmX600mm, birthday cake size less than 14" and height less than 100mm.
- CT-808 cuts into square and rectangular cake, and CT-808T cuts into square, rectangular and triangular with dimension and quantity set in PLC control.
- With customized PLC control by Siemens. Chinese, English and other languages for choice.
- Food grade blade allows heating and speed adjustable. All cakes are cut neatly with less crumb.
- Crumb is well collected by designed crumb box.
- Machine is out of stainless steel and fixed with safety cover, meeting safety and sanitary request.
- Standard machine provides one piece of 400x600mm plate for sponge cake, and one piece of 14" plate for birthday cake.
- All plates are out of Acrylic.
- High bright blue display screen, operate positions and trouble shooting are displayed on the screen, simple and easy to handle.



Model	CT-808T	
Capacity(pcs/h)	triangular 90mmX50mm	2800
	triangular 60mmX60mm	2500
	rectangular 90mmX50mm	2200
	rectangular 60mmX60mm	2000
	(cake roll) width:22mm;diameter:100mm	2500
	(cake roll) width:22mm;diameter:60mm	4000
Max.Cake Size(square) mm	600X400	
Max.Cake Size(rounde) mm	8" / 10"	
Power(kw)	1.15	
Cake Height(mm)	0~100	
Weight(kg)	450	
Air Compression	5kgf/cm (prepared by customers)	
Dimension(mm)	Width	1130
	Depth	1360
	Height	1420

Drawings, descriptions and photos are not contractual and can be modified.

SINCE 1924

BNG
TRADING COMPANY

SINCE 1983

SINMAG

BREAD SLICER - BAND SLICER



Features

- Stainless steel in all food contact areas.
- SMS-30 band slicer is using to slice toast loaves
- It slices the loaves by rotating endless blades. The cut surface of loaves is more smooth.
- High Capacity: Max. 1,800 loaves per hour or 30 loaves per minute. Work speed is adjustable.
- It has bag blower to open bags of toasts.
- Blades can be sharpened easily with built-in sharpener.



Model

SMS-30

Motor Power(kw)	2.4
Weight(kg)	460
Min.Width of Bread(mm)	150
Max.Width of Bread(mm)	380
Dimension(mm)(W*D*H)	2270X1210X2020
Slicing Thickness	standard 12mm,other thickness(10mm-30mm) can be customized
Capacity(loaves/h)	1800

Drawings,descriptions and photos are not contractual and can be modified.

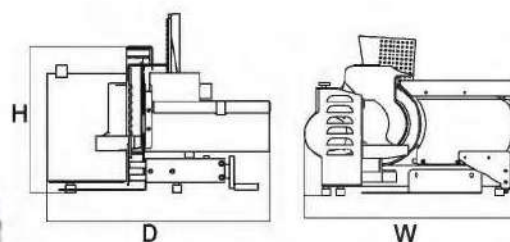
SINCE 1924

BNG
TRADING COMPANY

SINCE 1983

SINMAG

BREAD SLICER



Features

- Stainless steel in all food contact areas.
- Operation is easy to be done by only one person.
- Small, easy and convenient for moving upon requirement.
- Efficient, fast speed and silent.
- Slicing thickness can be easily adjusted by handwheel.
- The machine has hone itself, and it can be used for sharpen the blade.
- With the safety cover.
- The blade can be kept clean by the crumb scraper.
- For safety, the motor is mounted with a brake, and the blade can stop immediately when the machine is turned off.
- SX-30,Rear-loading bread slicer.
- SF-21,Piece by piece slicer.



Model	SX-30	SF-21
Motor Power(kw)	0.23	0.23
Weight(kg)	30	17.5
Max Dimension of Bread (mm) (Length)	120	120
Max Dimension of Bread (mm) (Height)	370	195
Dimension(mm)(W*D*H)	493X730X380	560X450X340
Slicing Thickness(mm)	6~30	6~60
Blade Diameter(mm)	φ195X2.7	φ 195

Drawings, descriptions and photos are not contractual and can be modified.

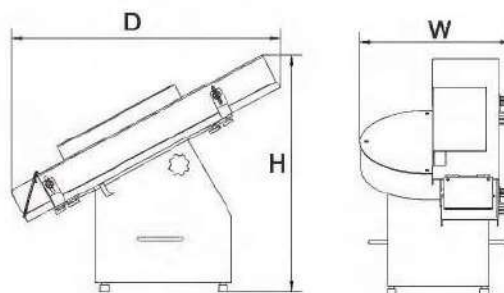
SINCE 1924

BNG
TRADING COMPANY

SINCE 1983

SINMAG

SLICER - BUN SLICER



Features

- Stainless steel in all food contact areas.
- Operation is easy to be done by only one person.
- Designed for slicing the bun, the bun can be sliced into two pieces.
- Adjustable slicing thickness.
- Sanitary, easy to clean and keep it clean.
- Efficient, fast speed and silent.
- Very safe with the blade inside.



Model

SM-313

SM-513

Capacity(loaves/h)	3600	3600
Weight(kg)	25	28
Bun Height	up to 67mm	up to 90mm
Bun Width	60~130mm	60~130mm
Cutting Height From Bottom of Bun	10~30mm	10~45mm
Dimension(mm) (WXDXH)	360X540X590	360X540X607
Motor Power(kw)	0.37	0.37

Drawings, descriptions and photos are not contractual and can be modified.

SINCE 1924

BNG
TRADING COMPANY

SINCE 1983

SINMAG

TUNNEL OVEN



Features

- Each tunnel oven is tailor-made according to customers' product and capacity requirement.
- Sinmag Tunnel Oven is operating in Malaysia, Indonesia, Panama and China.
- Available with gas burner or electric heating element.
- For gas tunnel oven, each burner can be switched on or off while other burner are working.
- Total heat output can be changed according to product requirement.
- For electric heating tunnel oven, the power of each electric heating element can be adjusted to meet product requirement.
- We have good know how to have even baking of product.
- Reliable and trouble free operation.
- Product can be moved out of tunnel oven by manually.
- To work out a quotation, we need following data
 - products to be baked
 - baking time of each product
 - baking temperature
 - tray size
 - required capacity per hour
 - heating source - gas or electricity
 - space available in width and length
 - other special requirement

Model	SMTV-G1500 SMTV-E1500	SMTV-G2100 SMTV-E2100	SMTV-G2700 SMTV-E2700
Tray Size(cm)	40X60	40X60	40X60
Max.Power (gas kcal/m)	17500	26250	35000
Max.Power(electric kw/m)	15	22.5	30
Average Power (gas kcal/m)	8750	13125	17500
Average Power (electric kw/m)	7.5	11.25	15
Chamber Width(mm)	1350	1950	2550
External Width(mm)	2260	2860	3460
Tray Layout			
Remark	Any size of tunnel oven can be customized according to requirements		

Drawings, descriptions and photos are not contractual and can be modified.

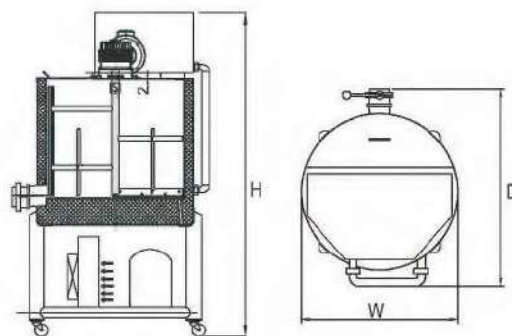
SINCE 1924

BNG
TRADING COMPANY

SINCE 1983

SINMAG

OTHER - SOURDOUGH FERMENTER



Features

- With glycohol cooling system.
- Frame, casting and tank in stainless steel.
- Programmable control panel.
- Heavy duty construction.
- Easy to clean.



Model	SPL2-80L	SPL2-150L	SPL2-300L	SPL2-500L
Capacity(L)	80	150	300	500
Power (kw)	1	1	1.5	2
Weight(kg)	180	230	290	375
Dimension(mm)	Width	840	920	1250
	Depth	995	1065	1035
	Height	1440	1455	1645

Drawings, descriptions and photos are not contractual and can be modified.

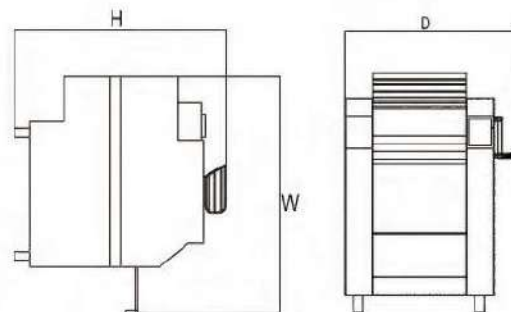
SINCE 1924

BNG
TRADING COMPANY

SINCE 1983

SINMAG

OTHER - DOUGH PRESS ROLLER



Features

- Solid construction, strong power.
- Auto mode & manual mode.
- Suitable for hard dough.
- With counter indication of presses.
- With safeguard on loading hopper.



Model	SM-303	SM-YMZD500	SM-YMZD600	SM-600
Dough Weight Range(kg)	5-20	0.5-7	0.5-9	25
Roller Gap Adjustment(mm)	10-20	8-20	8-20	1-30
Power(kw)	2.5	3	3	4.5
Weight(kg)	550	343	356	475
Dimension(mm)	Width	1600	1340	1500
	Depth	1050	770	1150
	Height	1450	1240	1240

Drawings, descriptions and photos are not contractual and can be modified.

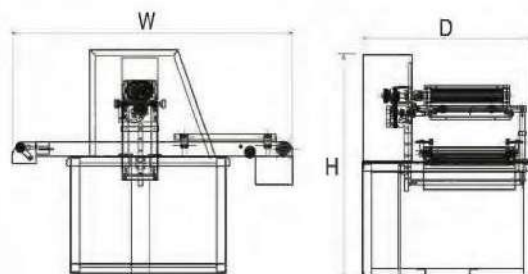
SINCE 1924

BNG
TRADING COMPANY

SINCE 1983

SINMAG

OTHER - CAKE AND COOKIE DEPOSITOR



Features

- Stable performance with the LCD touch screen, PLC system and Servo motor. 10 sets programmer memory for easy operation.
- Consistent filling by Silica Gel gear roller.
- Two kinds of filling modes: fixed-point dosing and continuous dosing.
- 10 set programmer memory for easy operation.
- Clear to see all the parameter and situation of machine in Chinese and English on the display.
- Stainless steel body, easy for cleaning and sanitary for food grade requirement.
- Easy to scrape and collect the remains on the belt automatically.
- SCD-400D/SCD-600D, Cake depositor.
SCD-400F2, Cookie depositor. customized sprout quantity and dimension.
SCD-400DF2, Cake and cookie depositor, it works for both cake and cookie raw material.

Accessories for Cake



Flat Feeder



Birthday Cake



Capacity

Model	SCD-400D	SCD-600D
Tray Size(mm)	400×600	400×600
Flat tray cake 1000g (Trays/H)	600	720
Cup cake 60g(Pcs/H)	based on 4 nozzles:5760	based on 6 nozzles:8640
Birthday cake 400g (8" for example) (Pcs/H)	1200	1800

Drawings, descriptions and photos are not contractual and can be modified.

SINCE 1924

BNG
TRADING COMPANY

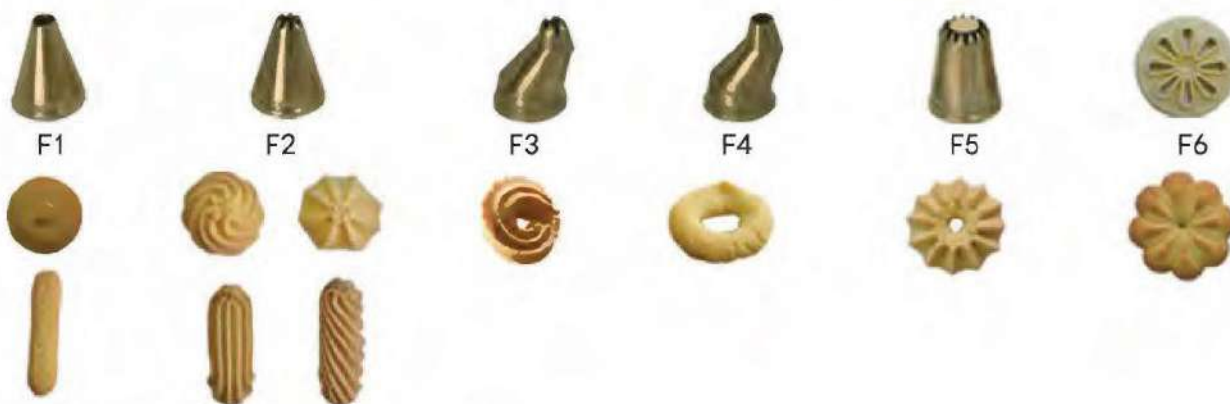
SINCE 1983

SINMAG

OTHER - CAKE AND COOKIE DEPOSITOR

Accessories for SCD-400F2/400DF2 Cookie

Teeth Sprouts shape



Model	SCD-400D	SCD-600D	SCD-400F2	SCD-400DF2
Description	cake depositor	cookie depositor	cookie depositor	cake and cookie depositor
Working Width(mm)	400	600	400	400
Tray Size(mm)	400X600	400X600	400X600	400X600
Hopper Capacity(L)	cake40	cake 60	cookie25	40L for cake;25L for cookie
Power(kw)	1.2	1.9	2.0	2.0
Weight(kg)	325	400	375	420
Dimension(mm)	Width	1530	1530	1530
	Depth	930	1130	930
	Height	1400	1400	1400
Air Compressor(Prepared by user)		not below 5 kgf/cm ²		

Drawings, descriptions and photos are not contractual and can be modified.

SINCE 1924

BNG
TRADING COMPANY

SINCE 1983

SINMAG

OTHER - BOWL LIFTER AND TIPPER



Features

- Mixing bowl is easily fixed, lifted up and overturns to table or depositor.
- Reduce working strength and working labour.
- Easy to move the machine by castors.
- Elevator are made out of SUS304 with sand blast.
- Safe operation with limit switches.
- **BLCS-86:**
Suitable for SCD400D/SCD-600D/SCD-400F2/SCD-400DF2.
Standard height is 1500mm, other height can be customized.
- **BLCS-80TS:**
The lifting capacity is up to 50kg load (bowl not included).
For bowls from 60 to 80 liters, for tipping height up to 1598mm.
The lift is controlled with push buttons for up and down movement.



BLCS-86



BLCS-80TS

Model	BLCS-86	BLCS-80TS
Suitable Bowl	40L,60L,80L	40L,60L,80L
Power (kw)	1.5/0.75(fast/slow)	0.75
Bowl Tilt Angle(°C)	120	120
Dimension(mm)	Width	1300
	Depth	1350
	Height	2300
Weight (kg)	390	135
Remark	Stainless steel body	Stainless steel body

Drawings, descriptions and photos are not contractual and can be modified.

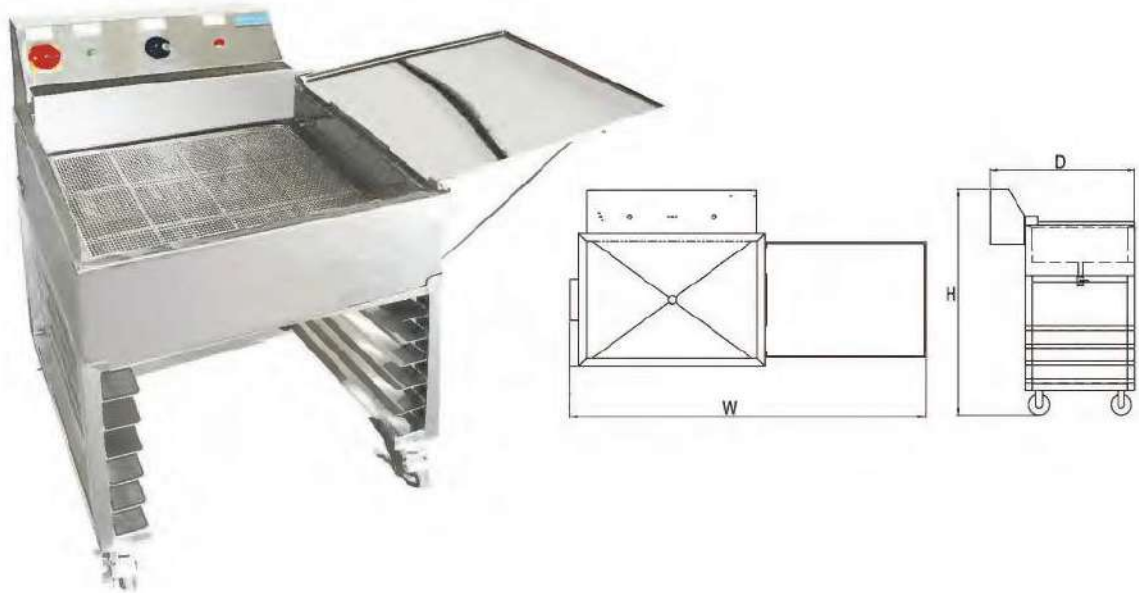
SINCE 1924

BNG
TRADING COMPANY

SINCE 1983

SINMAG

OTHER - DOUGHNUT FRYER



Features

- Suited for small and medium sized bakeries.
- Frying time and temperature adjustment.
- Electric heated.
- Easy to clean.
- Minimized the cost and labor.
- Stainless steel construction.

Model	FR-40	FR-50	FR-80
Volume(L)	40	50	80
Basket Size(cm)	40X60	46X66	67X85
Weight(kg)	65	75	85
Dimension(mm)	Width	1340	1840
	Depth	665	860
	Height	1040	1025
Max Temperature (°c)	200	200	200

Drawings, descriptions and photos are not contractual and can be modified.

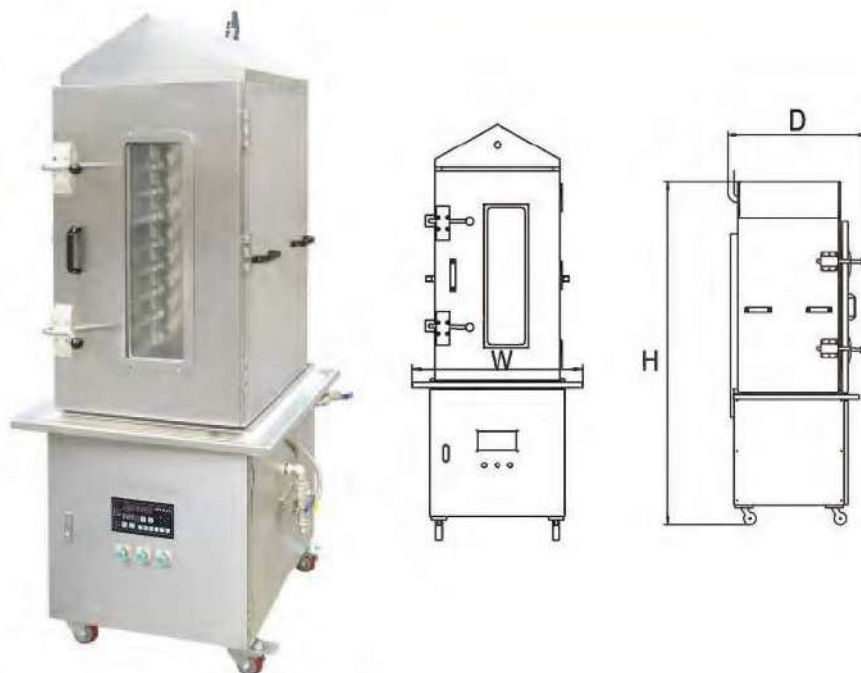
SINCE 1924

BNG
TRADING COMPANY

SINCE 1983

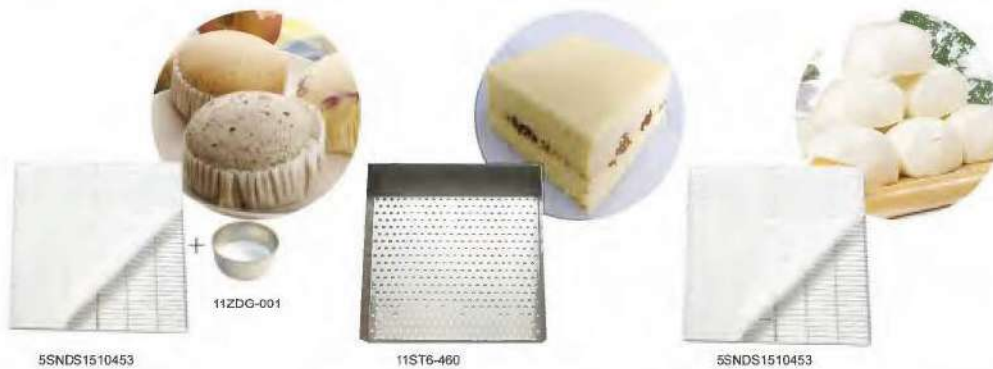
SINMAG

OTHER - NEW CAKE STEAMER



Features

- Roof top shape on the top, to prevent dripping of steam vapor that will affect product quality.
- Individually set of temperature and timer, there are six sets of time and temperature shortcuts stored in memory for easy operating.
- Automatic water inlet system, heater rod with temperature limiter sensor, to prevent further heating in dry condition, and protect the equipment.
- Front door with heat resistant glass design, able to observe steaming process.
- Detachable steaming frame, for easy cleaning inside the chamber.
- Suitable for steam cake, steam bun, stuffed bun and other rice made products.



Model		ST-10
Number of trays		10
Tray Size(mm)		460X460
Power(kw)		6
Dimension(mm)	Width	764
	Depth	740
	Height	1950
Weight(kg)		90

Drawings, descriptions and photos are not contractual and can be modified.

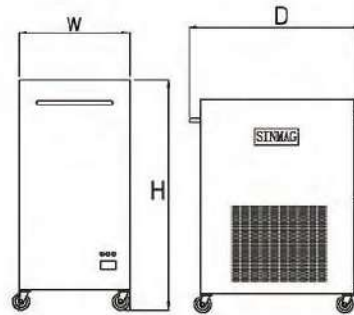
SINCE 1924

BNG
TRADING COMPANY

SINCE 1983

SINMAG

OTHER - WATER COOLER & FLOW CONTROLLER



Features

SMC-180(Water Cooler)

- 730 litres of cooled water available in the first 6 hours, then 60 litres per hour.
- Cools water to a temperature between 2°C and 5°C.
- Fully in stainless steel.
- With water evacuation valve.
- Mounted on castors with brake.
- Works on network water pressure, no internal pump needed.
- Digital display.
- Cooling with coil system.
- CE approval and ETL approval.

WM-175(Water Flow Controller)

- Display temperature adjustable with water cooler.
- Holds up to 99 programs.



Model	SMC-180	WM-175
Output(L/H)	120	/
Power(kw)	1	0.02
Water Temperature(°C)	2~5	/
Compressor Power(hp)	1	/
Weight(kg)	130	13.5
Dimension(mm)	Width	540
	Depth	900
	Height	1120

Drawings, descriptions and photos are not contractual and can be modified.

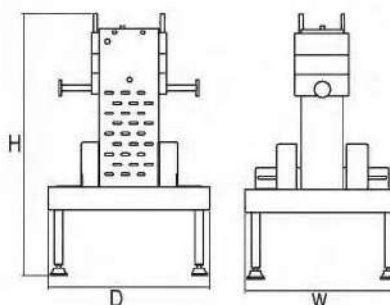
SINCE 1924

BNG
TRADING COMPANY

SINCE 1983

SINMAG

OTHER - CHOCOLATE SHAVER



Features

- Speed regulation for the blades.
- The blades can be replaced separately.
- Easy to set and operate.
- Shave chocolate chips with thickness rang 0,1 to 3 mm.
- Sanitary,easy to clean and keep it clean with drawer.



Model

QM-210

QM-210CE

Motor Power(w)		90	90
Speed		1.5~24rpm	1.5~24rpm
Transmission Mode		Motor Driver Directly	Motor Driver Directly
Dimension(mm)	Width	370	370
	Depth	370	394
	Height	639	639
Weight(kg)		30	30
Chocolate brick Dimension(mm)	Width	145~210	145~210
	Depth	40~330	40~330
	Height	17~40	17~40

Drawings, descriptions and photos are not contractual and can be modified.

SINCE 1924

BNG
TRADING COMPANY

SINCE 1983

SINMAG

MAKE UP LINES



LINE 1) Capacity:1800pcs/Hr;Dough Weight Range:100-300g

Equipments:SMD-1P/80 (Continuous Divider) → SMQ-30 (Conical Rounder) → SMP-70 (Intermediate Proofer)
→ SM-380B(Moulder)→ Table

Model	SMD-1P/80	SMQ-30	SMP-70	SM2-380
Dough Weight Range (g)	50-300	30-1200	100-300	50-900
Capacity(pcs/h)	1200-1800	4500	2400	2500
Power(kw)	1.5	0.9	0.75	0.375
Dimension(mm)	Width	1650	1600	1050
	Depth	850	2140	690
	Height	1700	1350	2550

LINE 2) Capacity:2400pcs/Hr;Dough Weight Range:100-300g

Equipments:SMD-2P/2 (Continuous Divider) → SMQ-30 (Conical Rounder) → SMP-90 (Intermediate Proofer)
→ SDM-340B(Moulder)→ Table

Model	SMD-2P/2	SMQ-30	SMP-90	SDM-340B
Dough Weight Range (g)	80-480	30-300	30-300	30-300
Capacity(pcs/h)	3000	4500	2400	3000
Power(kw)	1.7	0.9	0.9	0.75
Dimension(mm)	Width	1620	2490	1950
	Depth	1370	1100	770
	Height	1790	1350	2400

Drawings, descriptions and photos are not contractual and can be modified.

SINCE 1924

BNG
TRADING COMPANY

SINCE 1983

SINMAG

MAKE UP LINES

LINE 3) Capacity:3000pcs/Hr;Dough Weight Range:100-300g

Equipments:SMD-2P/2 (Continuous Divider) → SMQ-30 (Conical Rounder) → SPQ-8112 (Intermediate Proofer) →SDM-340B(Moulder)

Model	SMD-2P/2	SMQ-30	SPQ-8112	SDM-340B
Dough Weight Range (g)	80-480	30-1200	100-300	30-300
Capacity(pcs/h)	3000	4500	3000	3000
Power(kw)	1.7	0.9	1.7	0.4
Dimension(mm)	Width	1620	4600	1935
	Depth	1370	3000	770
	Height	1790	1350	1350

LINE 4) Capacity:4500pcs/Hr;Dough Weight Range:100-300g

Equipments:SMD-2P/3 (Continuous Divider) → SMQ-V6 (Cylinder Rounder) → SPQ-8172 (Intermediate Proofer)
→SM-340B2(Moulder)

Model	SMD-2P/3	SMQ-V6	SPQ-8172	SDM-340B2
Dough Weight Range (g)	50-350	30-500	60-300	30-300
Capacity(pcs/h)	4500	6000	4500	4500
Power(kw)	1.5	1.5	5.7	0.75
Dimension(mm)	Width	1620	6510	1950
	Depth	1370	3000	1170
	Height	1790	2040	1350

LINE 5) Capacity:6000pcs/Hr;Dough Weight Range:100-300g

Equipments:SMD-4P/4 (Continuous Divider) → SMQ-V6 (Cylinder Rounder) → SPQ-10175 (Intermediate Proofer)
→2XSMD-340B2(Moulder)

Model	SMD-4P/4	SMQ-V6	SPQ-10175	SDM-340B2
Dough Weight Range (g)	100-300	30-500	60-300	30-300
Capacity(pcs/h)	6000	6000	6000	4500
Power(kw)	1.5	1.5	6.5	0.75
Dimension(mm)	Width	1915	7000	1950
	Depth	1370	3000	1170
	Height	1790	2040	1350

Drawings, descriptions and photos are not contractual and can be modified.

SINCE 1924

BNG
TRADING COMPANY

SINCE 1983

SINMAG

MAKE UP LINES



SMD-2P/SMD-4P
Continuous Divider



SMQ-30
Conical Rounder



SDM-340B
Moulder



SDM-340B2
Moulder



SPQ-8112
Intermediate Proofer



SPQ-10175
Intermediate Proofer

Drawings, descriptions and photos are not contractual and can be modified.

SINCE 1924



SINCE 1983

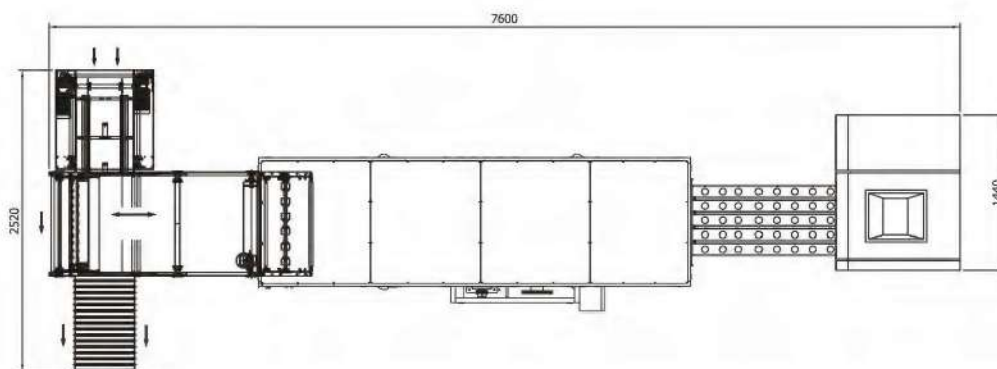
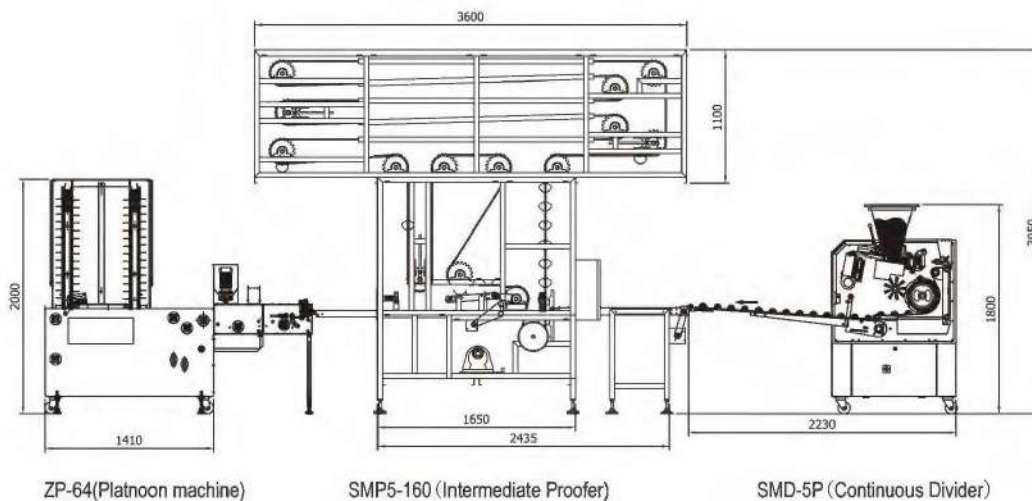
SINMAG

BURGER LINE

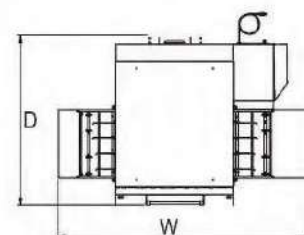
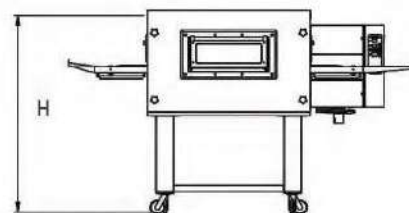


LINE 6) Capacity:6000pcs/Hr

Equipments:SMD-5P (Continuous Divider) → SMP5-160 (Intermediate Proofer)→ ZP-64(Platnoon machine)



OTHER - PIZZA CONVEYOR OVEN



Features

- Digital panel displays setting temperature, current temperature and baking time.
- Stainless steel front, side, top and interior.
- Stackable up to three units high.
- Maximum operating temperature 300°C.
- Double fans provide very good heat exchange. power off till oven cools to 70°C.
- All control elements are installed on the door.
- Easy cleaning chain belt.



Model	SFP-C20EA	SFP-C36GA	SFP-C36ES	SFP-C40EA
Capacity	106pcs/h(6") 47pcs/h(9") 27pcs/h(12") 20pcs/h(14")	196pcs/h(6") 87pcs/h(9") 42pcs/h(12") 36pcs/h(14")	196pcs/h(6") 87pcs/h(9") 42pcs/h(12") 36pcs/h(14")	352pcs/h(6") 156pcs/h(9") 88pcs/h(12") 65pcs/h(14")
Baking Time	3-12 minutes(adjustable)	3-15 minutes(adjustable)	3-15 minutes(adjustable)	3-15 minutes(adjustable)
Max. Temperature(°C)	300	300	300	300
Power(kw)	8.3	12338Kcal/h(oil)	16.8	28
Baking Size	Width 20"(510mm)	36"(915mm)	36"(915mm)	40"(1028mm)
	Depth 18"(455mm)	20-7/8"(530mm)	20-7/8"(530mm)	31"(795mm)
	Height 3-1/4"(80mm)	3-1/4"(80mm)	3-1/4"(80mm)	3-1/4"(80mm)
Dimension	Width 62-13/62"(1585mm)	77-3/4"(1975mm)	77-3/4"(1975mm)	82"(2085mm)
	Depth 35-5/8"(905mm)	48-15/64"(1340mm)	49-7/32"(1250mm)	61"(1550mm)
	Height 18"(460mm)	47-41/64"(1210mm)	44-11/16"(1135mm)	52-9/64"(1330mm)
Weight(kg)	95	200	200	350

Drawings, descriptions and photos are not contractual and can be modified.

SINCE 1924

BNG
TRADING COMPANY

SINCE 1983

SINMAG

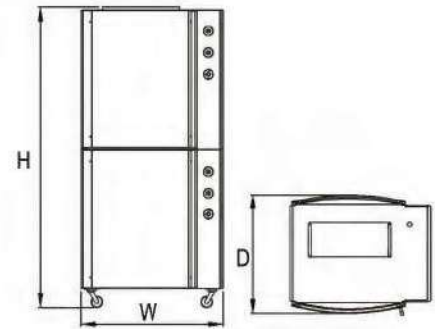
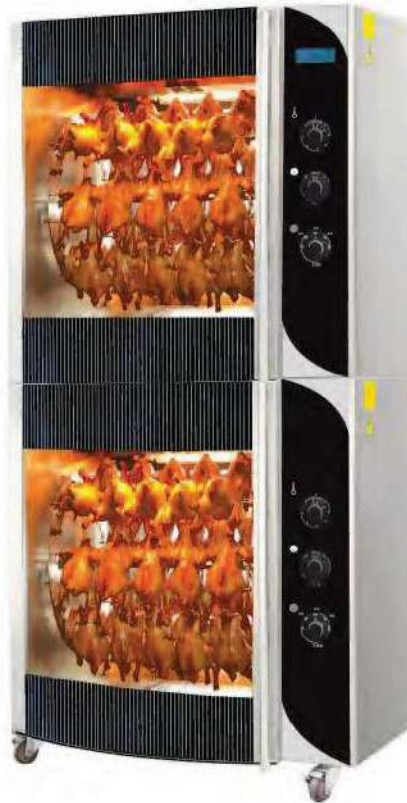
OTHER - ELECTRICAL ROTISSERIE



Three kinds of control panels for your choice



SR7-PT SR7-PTL SR7-PTM



Features

- Allowing manual and automatic control, programmable control option with a twenty program memory.
- Large, full sized double panel glass for high visual impact.
- Stainless steel interior/exterior. Rockwool insulation is applied to top and sides.
- Baskets and forks are easy to remove without the use of tools for product removal and to facilitate cleaning.
- Stainless steel drip tray slopes downward to a bottom drip pan for convenient removal.
- The rotisserie features a combination of convection and radiant heat. Heating elements and fans are located in the top of the oven for high convected movement of air. Product browns evenly on all sides.



SR5-PT



SR7-PT



SR7-PTM(stackable)



SR7-PTF

Model	SR5-PT	SR7-PT	SR7-PTM(stackable)	SR7-PTF
Basket Quantity(pcs)	5	7	7X2	7
Capacity(pcs)	20	35	35X2	35
Power(kw)	6.3	8.3	8.3X2	8.3
Overall Dimension(mm)	Width	805	990	990
	Depth	730	840	865
	Height	955	1105	2188
Cook Chamber Size(W*D*H mm)	515X565X500	705X685X650	705X685X650	705X665X700
Accessory	5 baskets,5 forks,4 foot pads	7 baskets,7 forks,4 foot pads	14 baskets,14 forks,4 foot pads	7 forks
Weight(kg)	120	180	180	180
Remark	3 kinds of panels for choice			

Drawings, descriptions and photos are not contractual and can be modified.

SINCE 1924

BNG
TRADING COMPANY

SINCE 1983

SINMAG

IN-STORE EQUIPMENT



SJ3-932+SM2-705E*2+ Shelf DC-236S SCD36-C2-T3

- Total tray capacity:16pans
- SJ3-932,6 trays electric deck oven,400x600mm,(stainless steel door)
- SM2-705E,5 trays electric convection oven.
- DC-236S,2-door retarder proofer,36 trays.
- SCD36-C2-T3,top freezer and bottom chiller,36 trays.



SK2-632H+SM2-705E*2+Shelf DC-236S SCD36-C2-T3

- Total tray capacity:16pans
- SK2-632,6 trays electric deck oven,400x600mm,(glass door)
- SM2-705E,5 trays electric convection oven
- DC-236S,2-door retarder proofer,36 trays.
- SCD36-C2-T3,top freezer and bottom chiller,36 trays.



SJ3-922+SM2-705E+Rack DC-236S SCD36-C2-T3

- Total tray capacity:9pans
- SJ3-922,4 trays deck oven,400x600mm,(stainless steel door)
- SM2-705E,5 trays electric convection oven.
- 1 x rack.
- DC-236S,2-door retarder proofer,36 trays.
- SCD36-C2-T3,top freezer and bottom chiller,36 trays.



SK2-622+SM2-705E+ Rack DC-236S SCD36-C2-T3

- Total tray capacity:8pans
- SK2-622,4 trays electric deck oven,400x600mm,(stainless steel door)
- SM2-705E,5 trays electric convection oven.
- 1 x rack.
- DC-236S,2-door retarder proofer,36 trays.
- SCD36-C2-T3,top freezer and bottom chiller,36 trays.

Drawings, descriptions and photos are not contractual and can be modified.

SINCE 1924

BNC
TRADING COMPANY

SINCE 1983

SINMAG

IN-STORE EQUIPMENT



SM2-602FH/602SH+SM2-705E+Rack DC-236S SCD36-C2-T3

- Total tray capacity: 13 pans/11 pans
- SM2-602F/602S, 4 trays electric deck oven, 400x600mm (stainless steel door/glass door)
- 1x SM2-705E, 5 trays electric convection oven.
- 1x rack.
- DC-236S, 2-door retarder proofer, 36 trays.
- SCD36-C2-T3, top freezer and bottom chiller, 36 trays.



SM2-522+SM2-704E+Rack DC-236S SD36-C2-T3

- Total tray capacity: 8 pans
- SM2-522, 4 trays electric deck oven, 400x600mm.
- 1 x SM2-704E, 4 trays electric convection oven.
- 1X rack.
- DC-236S, 2-door retarder proofer, 36 trays.
- SCD36-C2-T3, top freezer and bottom chiller, 36 trays.

Drawings, descriptions and photos are not contractual and can be modified.



SM2-705E+SM2-903C DC-236S SD36-C2-T3

- Total tray capacity: 8 pans
- SM2-903C, 3 trays electric deck oven with underbase, 400x600mm.
- SM2-705E, 5 trays electric convection oven.
- DC-236S, 2-door retarder proofer, 36 trays.
- SD36-C2-T3, top freezer and bottom chiller, 36 trays.



SM2-705E+SM2-901C+SM-716F SD36-C2-T3

- Total tray capacity: 6 pans
- SM2-901C, 1 tray electric deck oven, 400x600mm.
- SM2-705E, 5 trays electric convection oven.
- SM-716F, Proofer.
- SD36-C2-T3, top freezer and bottom chiller, 36 trays.

SINCE 1924

SINCE 1983

SINCE 1924



TRADING COMPANY



PAPUA NIUGINI FREEZERS



Orders: info@bngtrading.com.pg